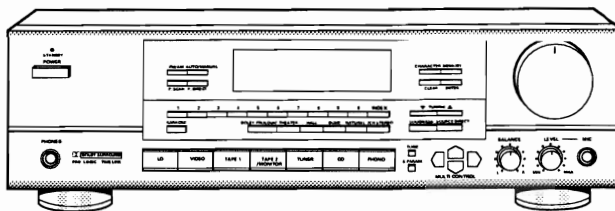


# SANSUI SERVICE MANUAL

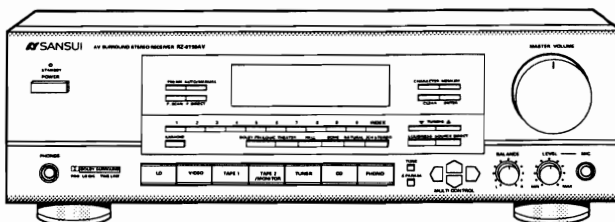
## RZ-8100AV

A/V RECEIVER with SURROUND Circuit  
For World Market Model, Black Color.



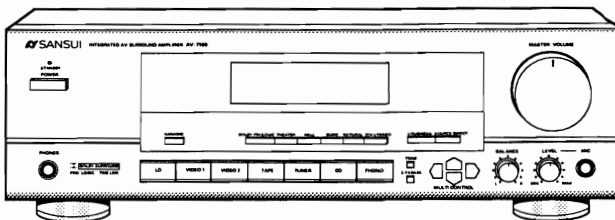
## RZ-8150AV

A/V RECEIVER with SURROUND Circuit  
For World Market Model, Gold Color.



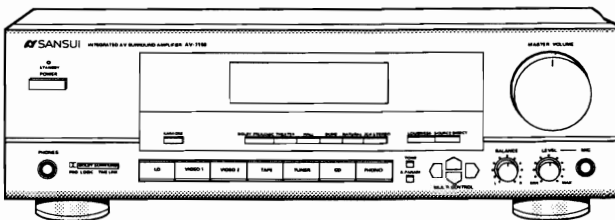
## AV-7100

A/V AMPLIFIER with SURROUND Circuit  
For World Market Model, Black Color.



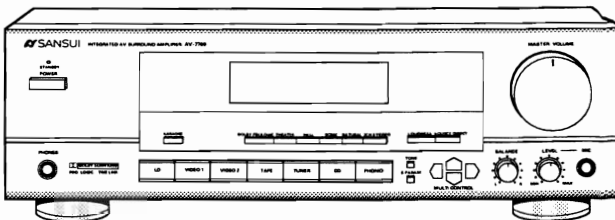
## AV-7150

A/V AMPLIFIER with SURROUND Circuit  
For World Market Model, Gold Color.




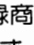
## AV-7700

A/V AMPLIFIER with SURROUND Circuit  
This Model is For Japan Market Only!!



Variation of Two Colors (Black & Gold). この製品は、日本国内向け専用です。

- Design and specifications subject to changes without notice for improvements.
- Due to local laws and regulations, this unit sold in some areas are not equipped with variable voltage selector.
- 本機の意匠及び仕様の一部は、改良の為、予告無く変更する事が有ります。

- Dolby noise reduction manufactured under license from Dolby Laboratories Licensing Corporation.
- "DOLBY" and the double-D symbol  are trademarks of Dolby Laboratories Licensing Corporation.
- ドルビー、DOLBY、ダブルD記号  は、ドルビー・ラボラトリーズ・ライセンシング・コーポレーションの登録商標です。
- 本機は、ドルビー・ラボラトリーズ・ライセンシング・コーポレーションからの実施権に基き製造されて居ます。

**AV-7700**

**AV-7150**

**AV-7100**

**RZ-8150AV**

**RZ-8100AV**

### CAUTION (注意)

1. Parts identified the  $\Delta$  symbol on the schematic diagram and the parts list are critical for safety. Use only replacement parts that have critical characteristics recommended by the manufacturer.
  2. Make leakage-current for resistance measurements to determine that exposed parts are acceptably insulated from the supply circuit before returning the appliance to the customer.
- $\Delta$ 印がついている部品は、安全性を維持するために、重要な部品です。  
これらの部品を交換する際には、必ず指定された部品を使用して下さい。

### Notice / 告知

The symbols, **OO**, **UL**, **CSA**, **SS**, **EU**, **IPT**, **FTZ** and **XX** on the parts list and the schematic diagram mean followings respectively.

日本国向け製品専用部品には"**OO**"マークが付いて居ます。

**OO** ..... Manufactured for **Japanese** market.

**UL** ..... Manufactured for **U.S.A.** market.  
(Underwriters Laboratories approved model.)

**CSA** ..... Manufactured for **Canadian** market.

**SS** ..... Manufactured for **Saudi Arabian** market.

**EU** ..... Manufactured for **European** market.

**IPT** ..... Manufactured for **Italian** market.

**FTZ** ..... Manufactured for **F. R. Germanic** market.

**XX** ..... **Standard** Version.

**\*(EXPORT)\*** (Non Japanese market.)

**Non Mark** .... **Common parts.**

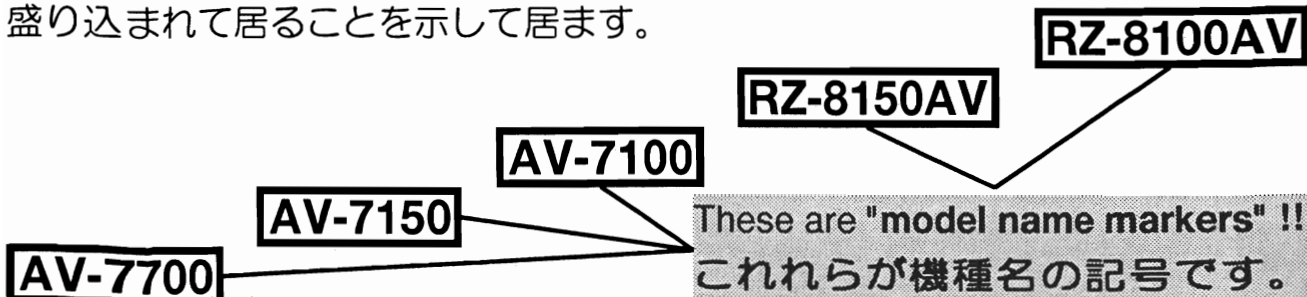
マークの無い部品は全仕向け共通です。

### Table of Contents / 目次

|    |       |   |
|----|-------|---|
| 2  | ..... | Caution / 注意書   |
| 2  | ..... | Notice / 告知   |
| 2  | ..... | Table of contents / 目次  |
| 2  | ..... | Guaide of model / 機種案内  |
| 3  | ..... | Specifications / 仕様"#1"   |
| 5  | ..... | Block Diagram / ブロック図"#2"                                       |
| 8  | ..... | Schematic Diagram / 回路図"#3"                                     |
| 13 | ..... | Adjustment / 調整方法 "#4"  |
| 15 | ..... | Interior Block Diagram & terminal Function of ICs / IC の内部図"#5" |
| 21 | ..... | Parts Location on Printed Circuit Board / 基板の部品配置図"#6"          |
| 27 | ..... | Parts List of Printed Circuit Board / プリント基板の部品表 "#7"           |
| 37 | ..... | Mechanism Parts List / 機構部品表"#8"                                |
| 39 | ..... | Packing list / 梱包材部品表"#9"                                       |
| 39 | ..... | Accessory List / 付属品部品表"#10"                                    |
| 40 | ..... | Packing list / 梱包材部品表"#11"                                      |
| 40 | ..... | Accessory List / 付属品部品表"#12"                                    |

Model name marker "**????**" in top of any page indicate be written of this model here.

各頁上部に記載されて居ます機種名の **記号** は、その機種に就いての記述が盛り込まれて居ることを示して居ます。



These are "model name markers" !!  
これらが機種名の記号です。

**RZ-8100AV****RZ-8150AV****AV-7100****AV-7150**

# 1. SPECIFICATIONS

**Tuner Department (For receiver only!! \* For the other markets than Japanese!!)**

## F. M. (V. H. F. band) Section

Tuning range ..... 87.5MHz to 108.0MHz  
 ..... (50.0kHz step)  
 Usable sensitivity ..... 14.8dBf (Monophonic)  
 50dB quieting sensitivity ..... 42.0dBf (Stereophonic)  
 ..... 21.0dBf (Monophonic)  
 Signal to noise ratio (at 65dBf) ... 65.0dB (Stereophonic)  
 .... 70.0dB (Monophonic)  
 Frequency response ..... 30Hz to 15kHz ( $\pm 1$  dB)  
 Total harmonic distortion with noise (at 65dBf, A. F. 1kHz)  
 ..... (Stereophonic) less than 0.5%  
 ..... (Monophonic) less than 0.4%  
 Capture ratio ..... 1.5dB  
 Alternate channel selectivity ..... 50.0dB ( $\pm 400$ Hz)  
 Spurious response ratio ..... 70.0dB  
 Image response ratio ..... 40.0dB

I. F. response ratio ..... 80.0dB  
 R. F. intermodulation ..... 55.0dB  
 A. M. suppression ratio ..... 50.0dB  
 Stereo-separation (at 1kHz) ..... 40.0dB  
 Antenna input impedance ..... 75 $\Omega$  (Unbalanced)

## A.M. (M.F.) Section

Tuning range ..... 531kHz to 1602kHz  
 ..... (9kHz step)  
 ..... 530kHz to 1710kHz  
 ..... (10kHz step)  
 Usable sensitivity(on loop antenna) 55dB/m  
 Selectivity (difference  $\pm 9$ kHz) ... 20dB  
 Signal to noise ratio (at 80dB/m) 45dB  
 Total harmonic distortion with noise (at 80dB/m, 30% modulation)  
 ..... less than 0.7%

## Amplifier Department

### Main Amplifier Section

Output power (2 channels mode) (Front 2 channels driven)  
 Power band width (at 20Hz~20kHz & less than 0.2% THD)  
 (UL, SS & XX) ..... 100Wr.m.s. each channel into 8 $\Omega$   
 (EU, IPT & FTZ) ..... 50Wr.m.s. each channel into 8 $\Omega$   
 Rated power (at 1kHz & less than 0.03% T.H.D.)  
 (UL, SS & XX) ..... 115Wr.m.s. each channel into 8 $\Omega$   
 Rated power "D.I.N." (at 1kHz & less than 1% T.H.D.)  
 (EU, IPT & FTZ) ..... 100Wr.m.s. each channel into 4 $\Omega$   
 Output power (Surround mode) (All channels driven)  
 Rated power (at 1kHz & less than 1% T.H.D.)  
 (UL, SS & XX) Front 75Wr.m.s. each channels into 8 $\Omega$   
 Rear 25Wr.m.s. each channels into 8 $\Omega$   
 Center 75Wr.m.s. single channel into 8 $\Omega$   
 (EU, IPT & FTZ) Front 60Wr.m.s. each channels into 4 $\Omega$   
 Rear 25Wr.m.s. each channels into 8 $\Omega$   
 Center 60Wr.m.s. single channel into 4 $\Omega$   
 Load impedance  
 (UL, SS & XX) ..... 8 $\Omega$ ~16 $\Omega$ (Front & Center channel)  
 (EU, IPT & FTZ) ..... 4 $\Omega$ ~16 $\Omega$ (Front & Center channel)  
 ..... 8 $\Omega$ ~16 $\Omega$ (Rear channel)

### Pre Amplifier Section

Audio input sensitivity and impedance at 1kHz  
 MICROPHONE ..... 0.3mV / 10k $\Omega$   
 PHONO (M. M.) ..... 2.5mV / 47k $\Omega$   
 The other input terminals ..... 150mV / 47k $\Omega$   
 Maximum input capability (at 1kHz & less than 0.1% THD)  
 PHONO (M. M.) ..... 110mVr.m.s.  
 Audio output voltage at 1kHz ..... 150mVr.m.s. into 47k $\Omega$   
 Frequency response (Over-all at 1W)  
 PHONO (M. M.) ..... 20Hz to 20kHz ( $\pm 0.5$ dB)  
 The other input terminals ..... 10Hz to 70kHz ( $\pm 1$  dB)  
 Signal to noise ratio (into I.H.F.-A 202 network at 1W)  
 PHONO (M. M.) ..... more than 74dB  
 The other input terminals ..... more than 78dB

Stereophonic channel separation .... (at 1kHz)  
 PHONO (M. M.) ..... 60dB  
 The other input terminals ..... 65dB  
 Channel separation (at 1kHz) ..... 75dB  
 Tone controls  
 BASS .....  $\pm 10$ dB (at 50Hz)  
 TREBLE .....  $\pm 10$ dB (at 15kHz)  
 Loudness control (at 30dB attenuate point from full volume)  
 ..... +9dB (at 50Hz), +6dB (at 10kHz)  
 Audio muting ..... -40dB (at 1kHz)

### Surround Section

Sounds delay time ..... 15~30mSec. (Dolby surround)  
 ..... 5~50mSec. (Theater surround)  
 ..... 5~100mSec. (The others)

### Video Section

Input sensitivity and impedance ... 1 Vp-p / 75 $\Omega$   
 Output voltage and impedance .... 1 Vp-p / 75 $\Omega$   
 Frequency Response ..... 5Hz to 10MHz ( $\pm 2$  dB)

### General Section (The others)

Power requirements  
 UL ..... A.C. 120V / 60Hz  
 EU, IPT, FTZ ..... A.C. 230V / 50Hz  
 SS, XX ..... A.C. 120, 220, 230 ~ 240V / 50, 60Hz  
 Power consumption  
 UL ..... 390W / 490VA  
 EU, IPT, FTZ ..... 560W  
 SS, XX ..... 390W  
 Dimensions ..... Width ..... 430mm / 16-15/16inches  
 ..... Height ..... 144mm / 5-11/16inches  
 ..... Depth ..... 350mm / 13-13/16inches  
 Weight  
 (Receiver) ..... 11.5kg / 25.4 lbs (net)  
 (Amplifier) ..... 11.4kg / 25.1 lbs (net)

# 1. 仕様

## 主増幅(メイン・アンプ)部

|                                  |               |
|----------------------------------|---------------|
| 出力(2チャンネル・モード) (フロント2チャンネル動作時)   |               |
| 帯域実効出力 (20Hz~20kHz,全高調波歪率0.2%以内) | 85Wr.m.s./6Ω  |
| 最大実効出力(EIAJ) (1kHz,全高調波歪率10%以内)  | 120Wr.m.s./6Ω |
| 出力(サラウンド・モード) (全チャンネル動作時)        |               |
| 最大実効出力(EIAJ) (1kHz,全高調波歪率10%以内)  |               |
| 前面(フロント)                         | 80Wr.m.s./6Ω  |
| 背面(リア)                           | 30Wr.m.s./6Ω  |
| 中央(センター)                         | 80Wr.m.s./6Ω  |
| 出力負荷インピーダンス                      | 6Ω~16Ω        |

## 全置増幅(プリ・アンプ)部

|                                      |                     |
|--------------------------------------|---------------------|
| 入力感度/入力インピーダンス(1kHz)                 |                     |
| マイクロホン                               | 0.3mVr.m.s./10kΩ    |
| フォノ(M. M.)                           | 2.5mVr.m.s./47kΩ    |
| その他の入力端子                             | 150mVr.m.s./47kΩ    |
| 最大許容入力 (1kHz,全高調波歪率0.1%以内)           |                     |
| フォノ(M. M.)                           | 110mVr.m.s.         |
| 出力電圧(1kHz)                           | 150mVr.m.s./47kΩ    |
| 周波数特性 (スピーカー端子にて1Wr.m.s.)            |                     |
| フォノ(M. M.)                           | 20Hz~20kHz (±0.5dB) |
| その他の入力端子                             | 10Hz~70kHz (±3dB)   |
| S/N比 (1Wr.m.s.,I.H.F. A-202ネットワーク使用) |                     |
| フォノ(M. M.)                           | 74dB以上              |
| その他の入力端子                             | 78dB以上              |
| ステレオ・チャンネル・セパレーション(1kHz)             |                     |
| フォノ(M. M.)                           | 60dB                |
| その他の入力端子                             | 65dB                |
| チャンネル・セパレーション(1kHz)                  | 75dB                |
| 音質調整(トーン・コントロール)                     |                     |
| 低域(バス)                               | ±10dB(50Hz)         |
| 高域(トリアール)                            | ±10dB(15kHz)        |
| 聴感補正(ラウドネス) (ポリューム30dB減衰時)           |                     |
| 低域                                   | +9dB(50Hz)          |
| 高域                                   | +6dB(10kHz)         |
| オーディオ・ミューティング                        | -40dB(1kHz)         |

## サラウンド部

|                       |            |
|-----------------------|------------|
| 音声遅延時間(サウンド・ディレイ・タイム) |            |
| ドルビー・サラウンド            | 15~30mSec. |
| シアター・サラウンド            | 5~50mSec.  |
| その他のサラウンド             | 5~100mSec. |

## 映像(ビデオ)部

|                |                 |
|----------------|-----------------|
| 入力感度/入力インピーダンス | 1Vp-p/75Ω       |
| 出力電圧/出力インピーダンス | 1Vp-p/75Ω       |
| 周波数特性          | 5Hz~10MHz(±3dB) |

## 総合部

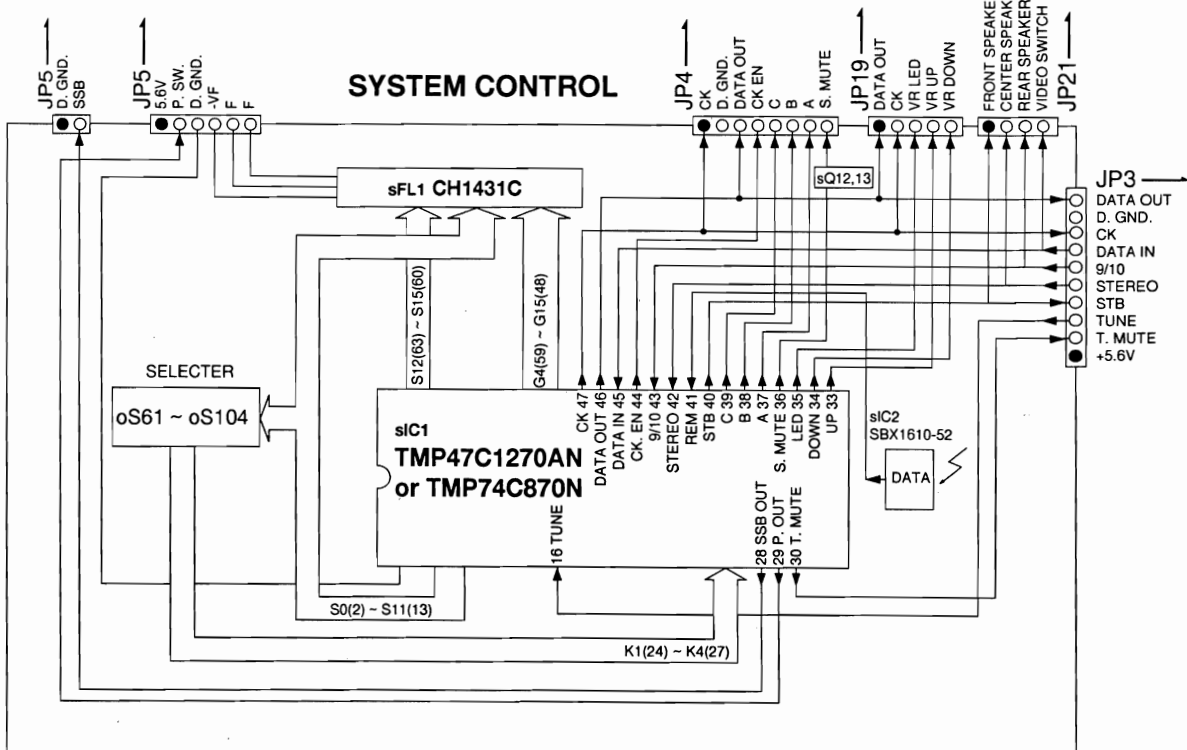
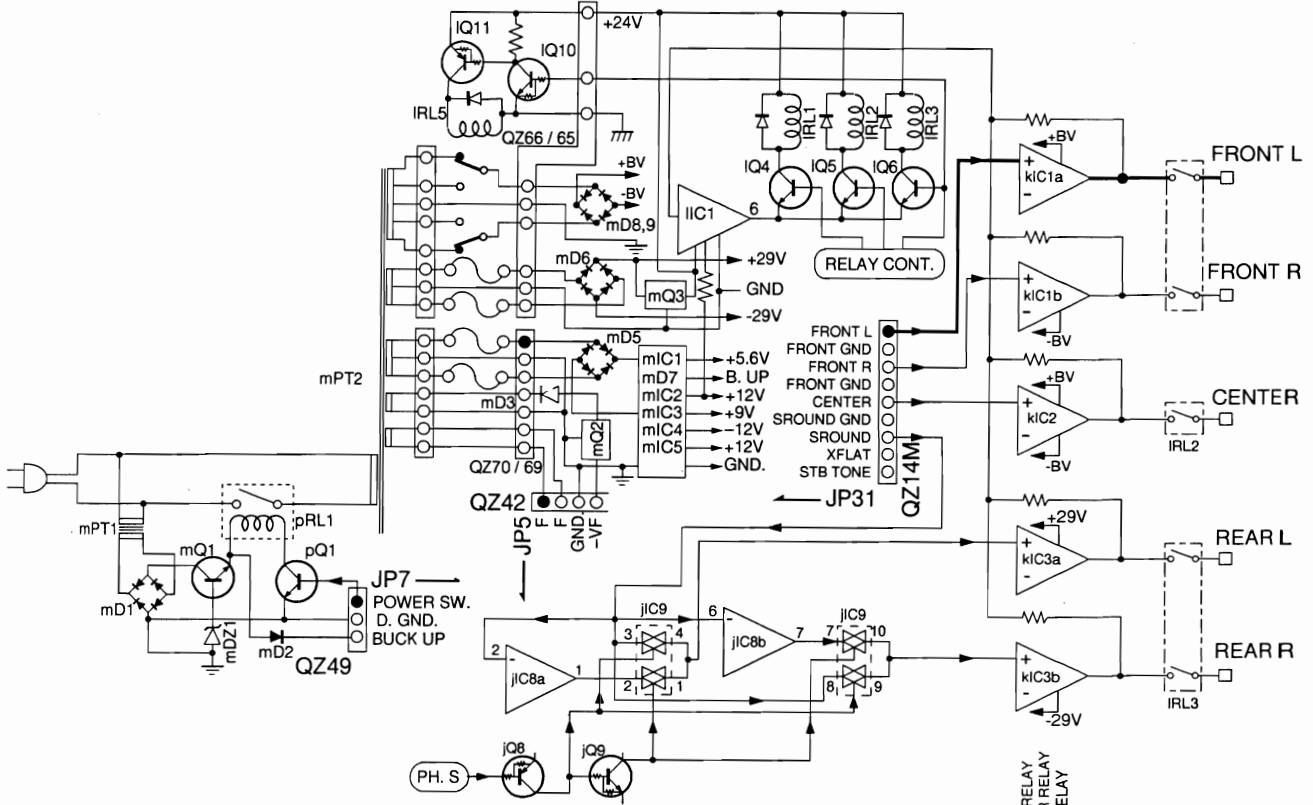
|        |                    |
|--------|--------------------|
| 電源電圧   | A.C. 100V/50, 60Hz |
| 定格消費電力 | 205W               |
| 製品寸法   |                    |
| 幅      | 430mm              |
| 高さ     | 144mm              |
| 奥行     | 350mm              |
| 製品質量   | 11.4kg             |

# 2. BLOCK DIAGRAM / ブロック図

## 2-1. System Control, Power Supply & Multi Channel Main Amplifiers

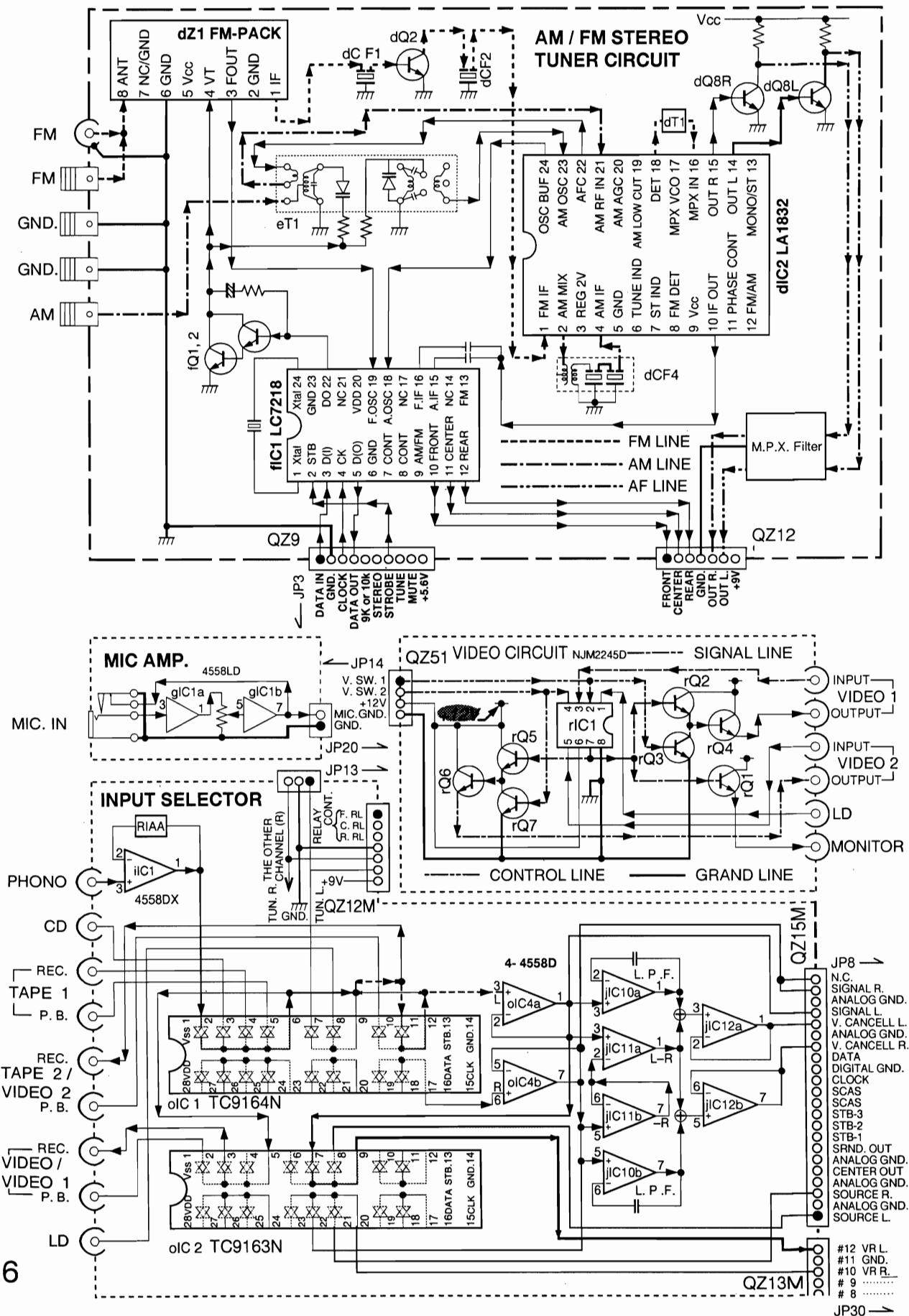
／システム・コントロール、電源、多チャンネル主増幅器

### POWER SUPPLY & POWER AMP



### 2-2. Tuner, Micro-phone, Video, Audio Selector & Pri Amplifier Circuit

受信、マイク、ビデオ、音響切り替え及び前置増幅器回路



**RZ-8100AV**

**RZ-8150AV**

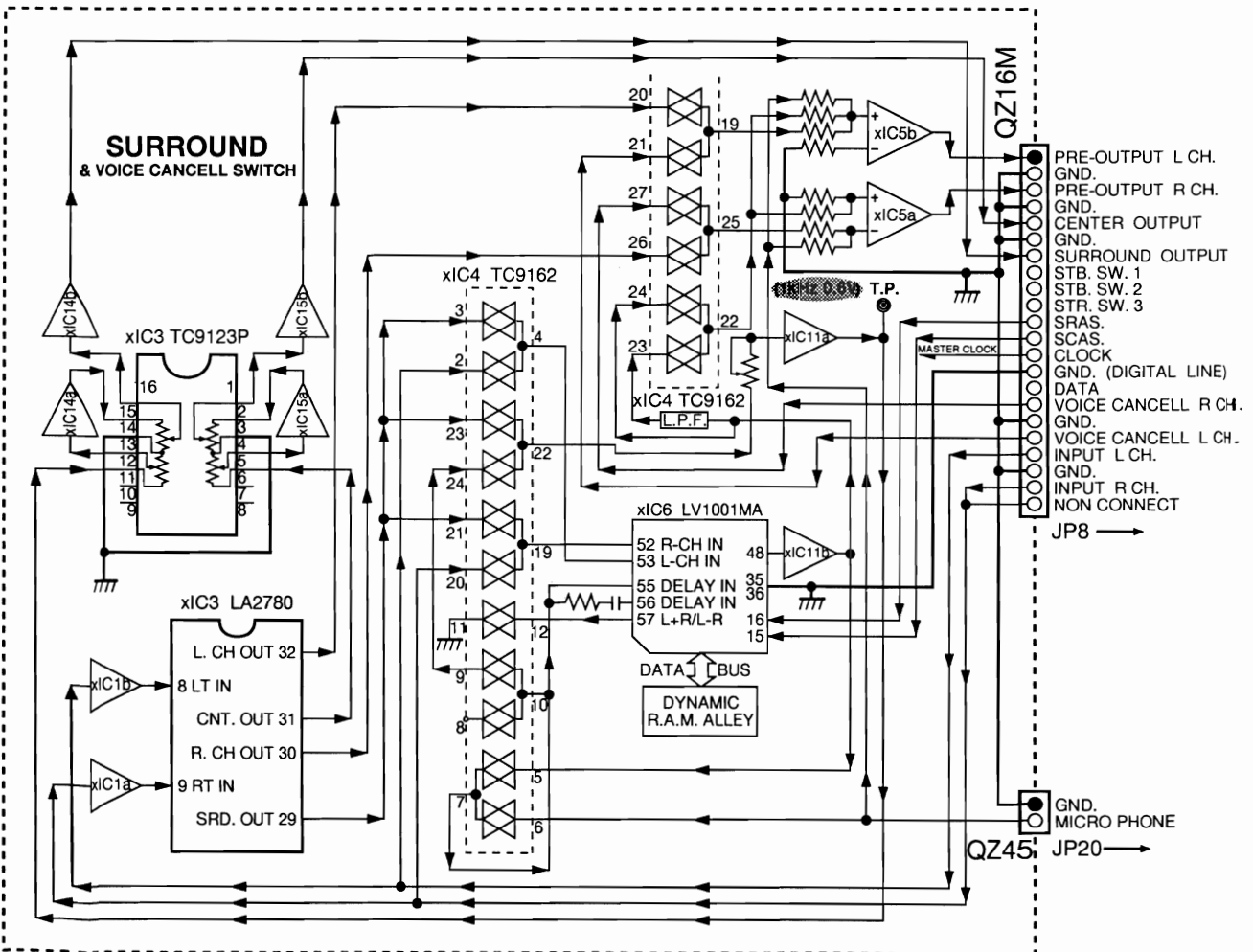
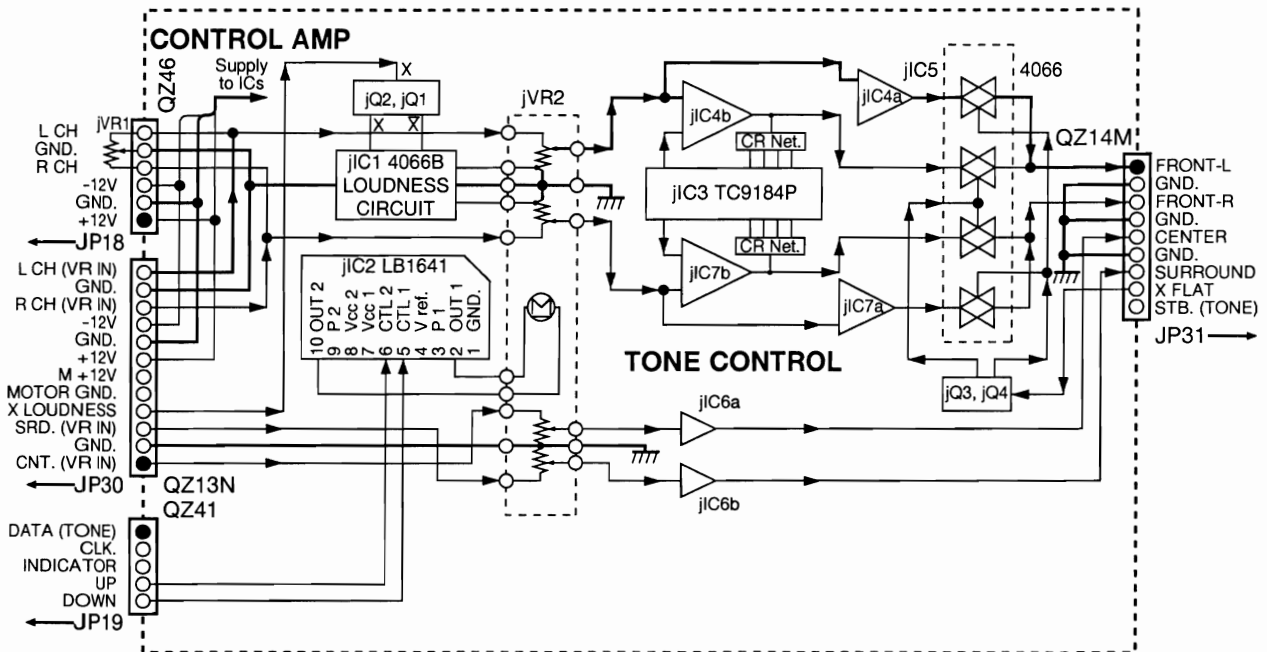
**AV-7100**

**AV-7150**

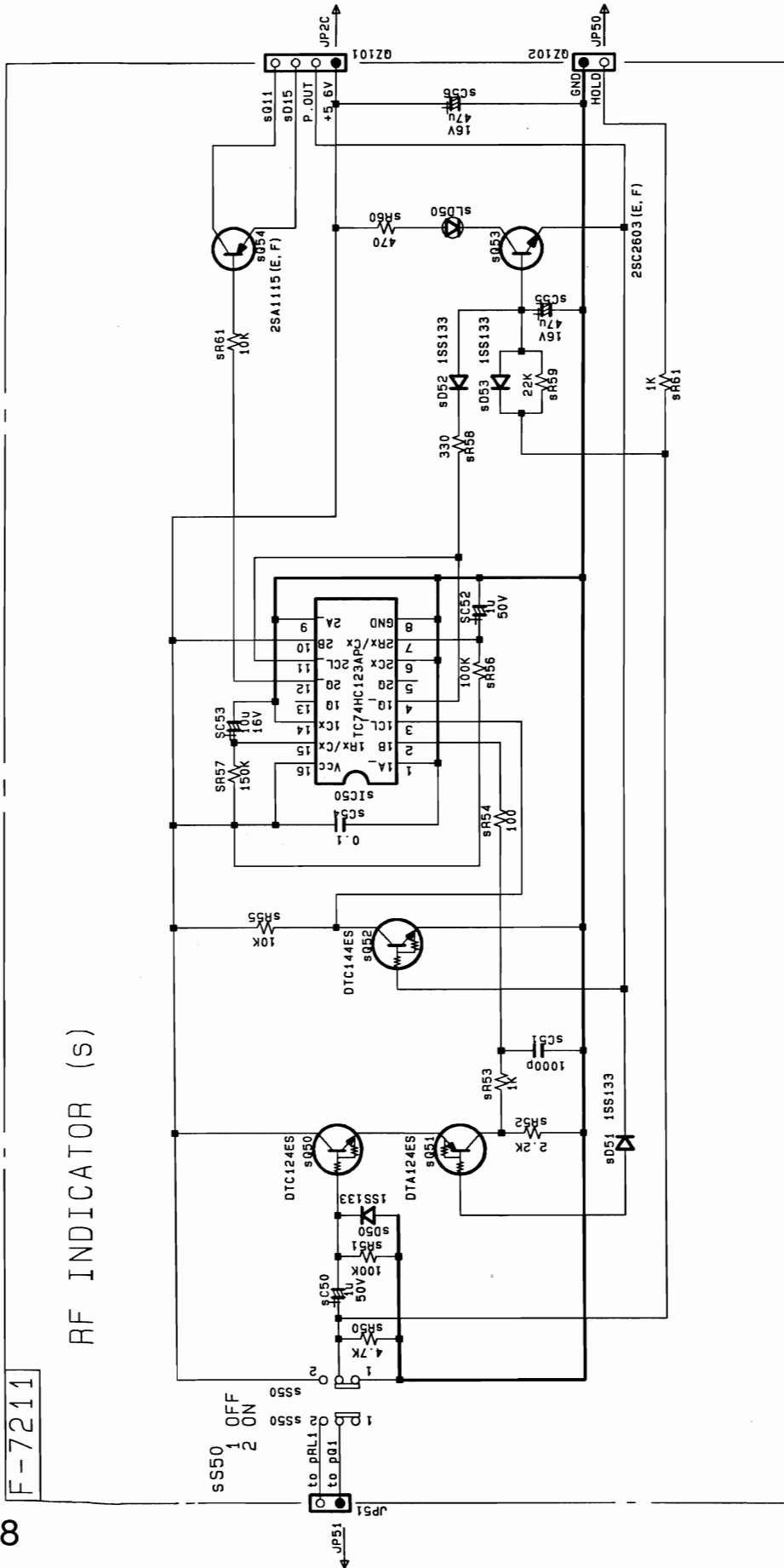
**AV-7700**

### 2-3. Audio Control Circuit (Attenuation, Loudness, Tone, Surround)

／音響調整回路（減衰量、聴感補正、音質、サラウンド）



# 3. SCHEMATIC DIAGRAM / 回路図 3-1. Indicator Circuit / 表示回路



RF INDICATOR (S)

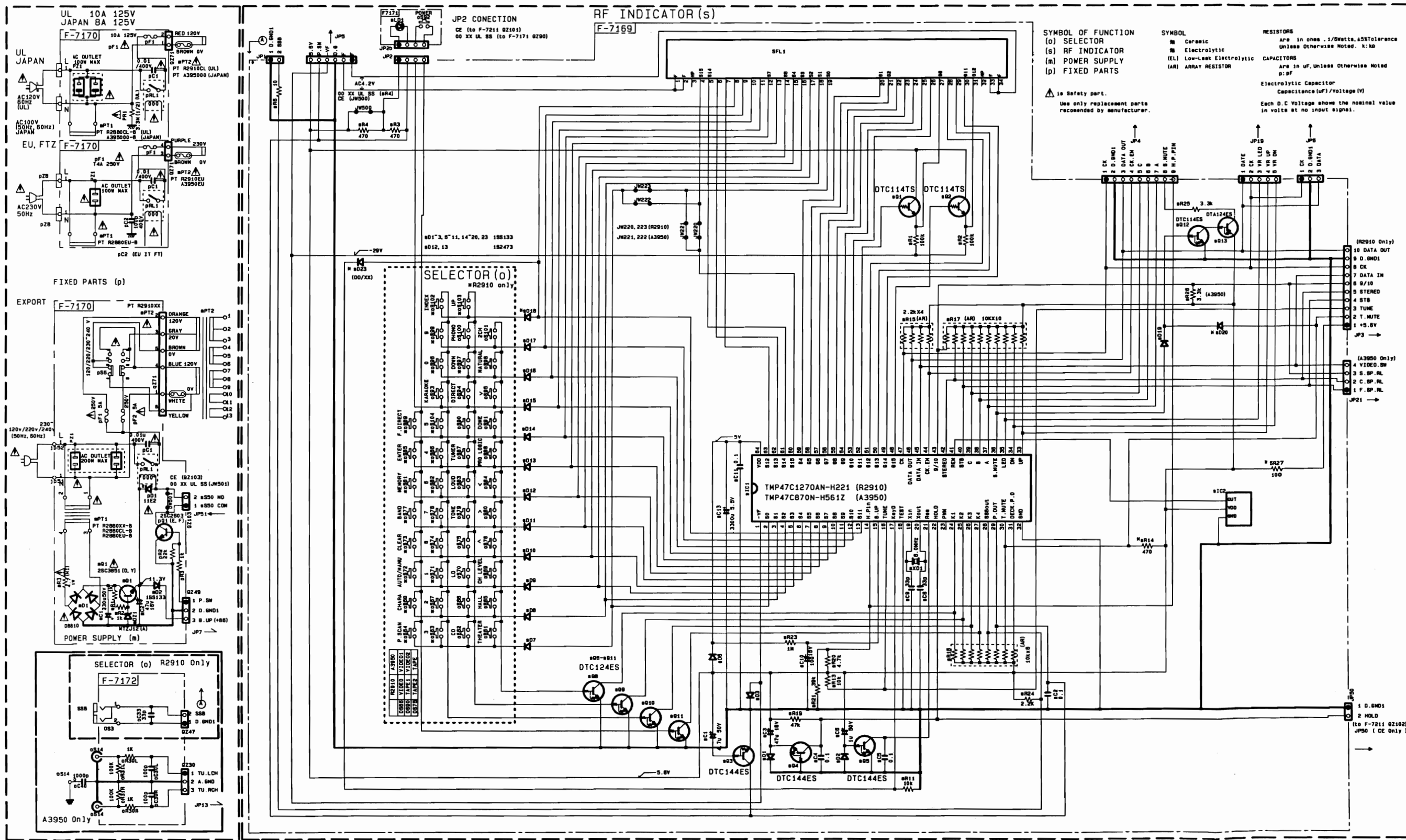
F-7211

- SYMBOL OF FUNCTION**
- (j) CONTROL
  - (k) POWER AMP
  - (l) PROTECTOR
  - (m) POWER SUPPLY
  - (o) SELECTOR
  - (p) FIXED PARTS
- RESISTORS**
- Are in ohms .1/6Watts±5%Tolerance Unless Otherwise Noted. k:kilo Ohms
- CAPACITORS**
- Are in uF. Unless Otherwise Noted
  - pi: pF
  - Electrolytic Capacitor
  - Capacitance (uF) / Voltage (V)
- Each D.C Voltage shows the nominal value in volts at no input signal.
- ▲ is Safety part.**
- Use only replacement parts recommended by manufacturer.



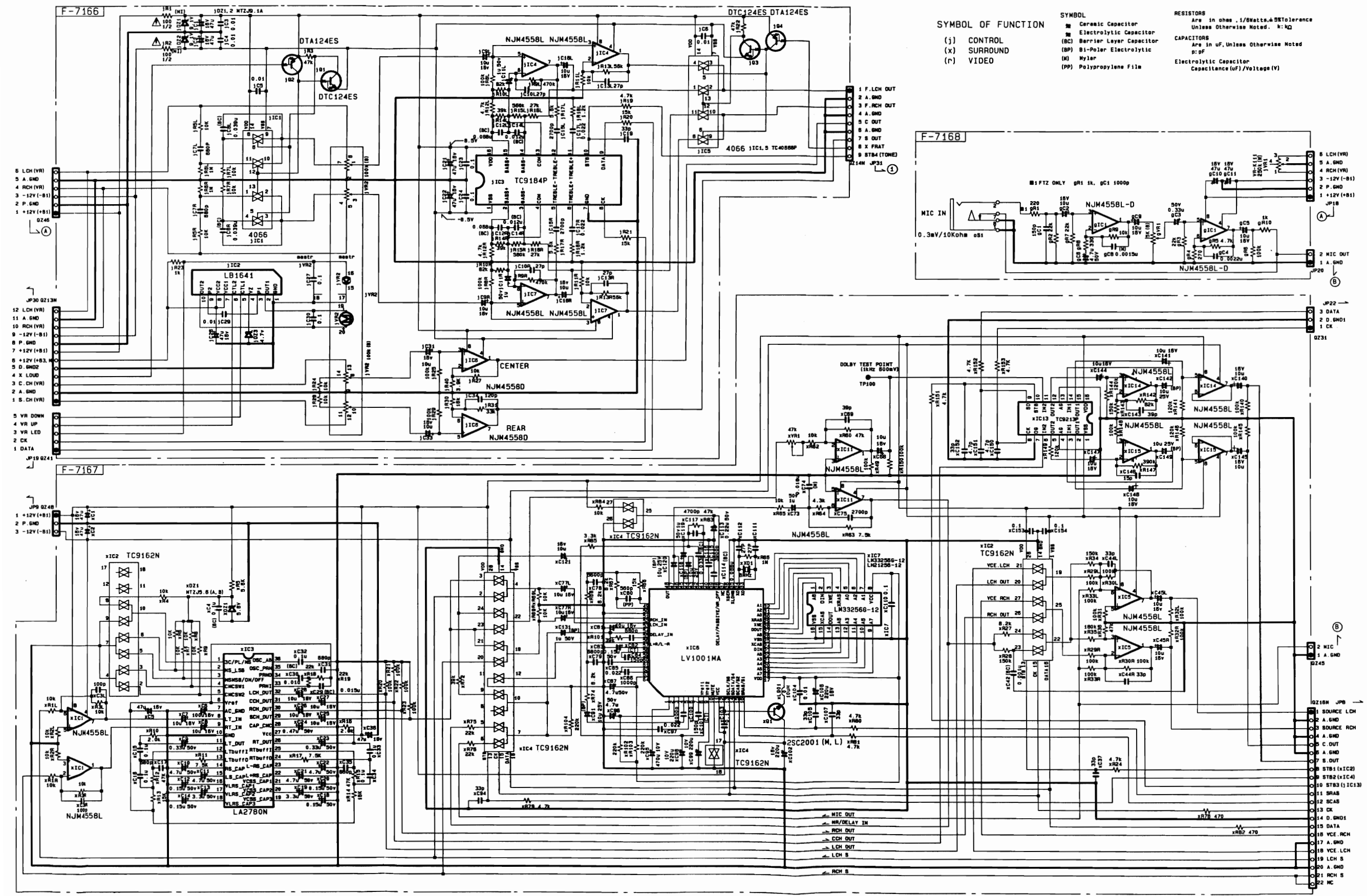
2-2. System Control Circuit, For A.C. Power Line Circuit & Power Transformer  
 / システム・コントロール回路、電源一次回路及び、電源用変成器

• Design and specifications subject to changes without notice for improvements.  
 • 本機の意匠 (デザイン) 及び仕様の一部は改良の為、予告無く変更する事が有ります。



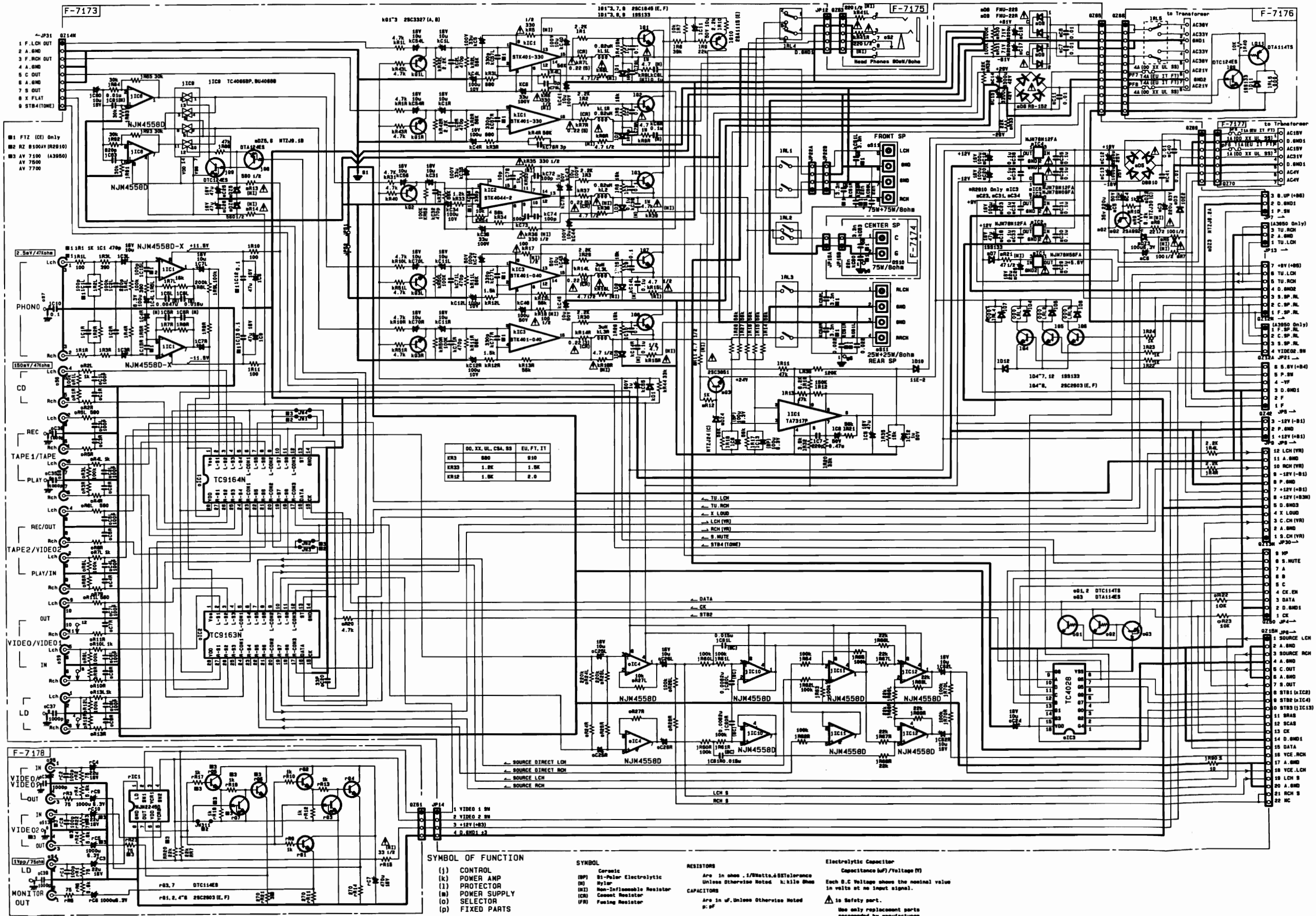
2-3. Analog Sound Control, Digital Signal Processor & Microphone Amplifier Circuit  
 /音量・音質調整回路、デジタル・シグナル・プロセッサ回路及び、マイクロ・フォン増幅回路

・ Design and specifications subject to changes without notice for improvements.  
 ・ 本機の意匠 (デザイン) 及び仕様の一部は改良の為、予告無く変更する事が有ります。



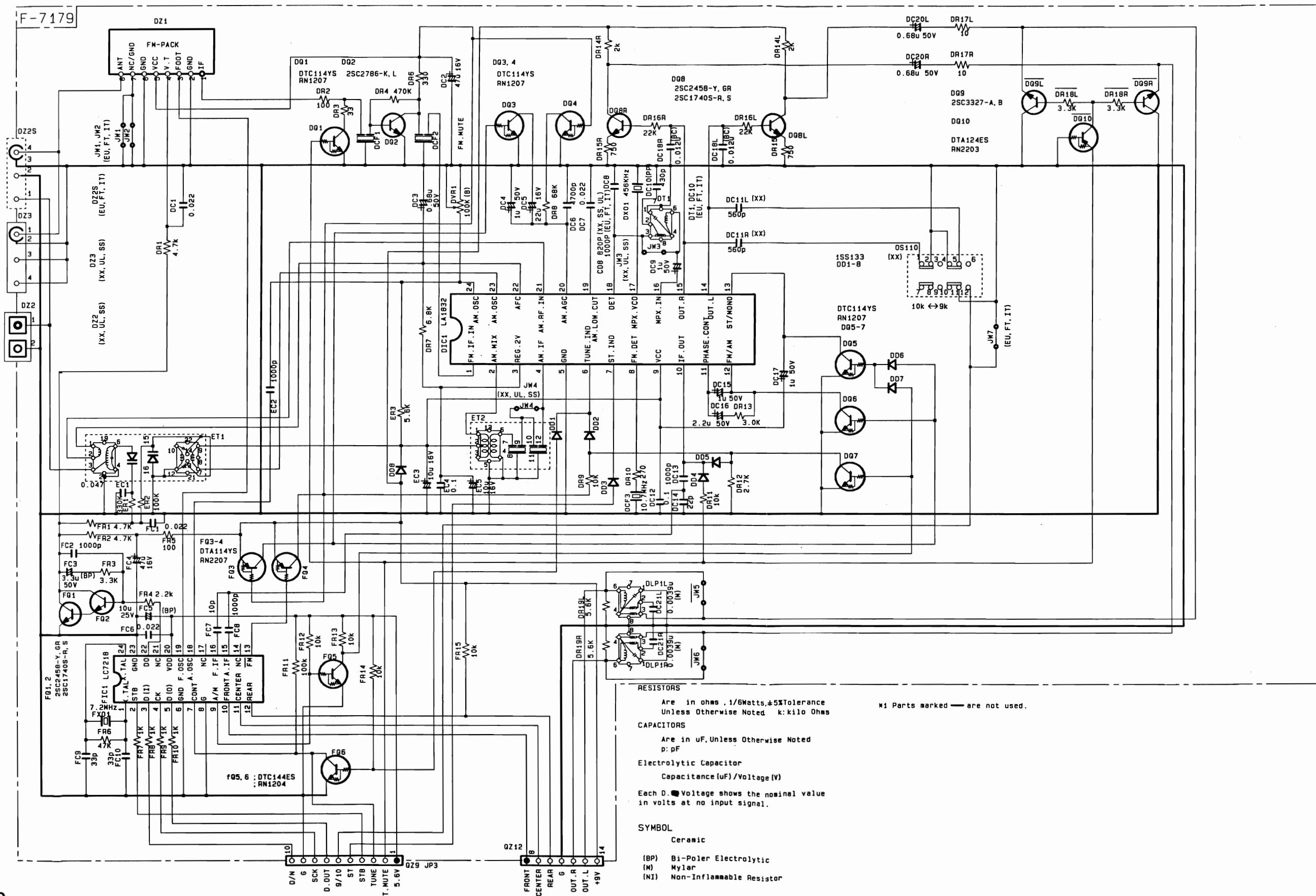
2-4. Input Selector, Amplifiers, Power Supply & Video Selector Circuit  
 / 入力切り替え回路、増幅回路、電源回路及び、ビデオ切り替え回路

• Design and specifications subject to changes without notice for improvements.  
 • 本機の意匠(デザイン)及び仕様の一部は改良の為、予告無く変更する事が有ります。



2-5. TUNER CIRCUIT / チューナー回路

• Design and specifications subject to changes without notice for improvements.  
 • 本機の意匠 (デザイン) 及び仕様の一部は改良の為、予告無く変更する事が有ります。



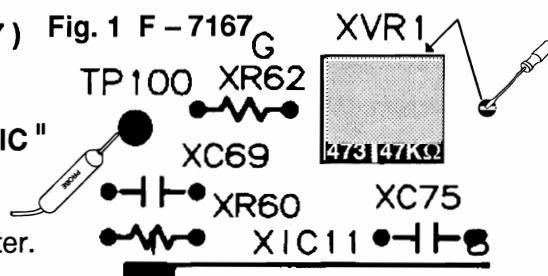


## 4. ADJUSTMENT / 調整方法

### 3-1. DOLBY PROLOGIC SURROUND LEVEL ADJUSTMENT ( Fig. 1 ) / ドルビー・プロロジック・サラウンド・レベル調整 ( Fig. 1 )

NOTE / (条件書き) : ( Board Number : F - 7167 ) Fig. 1 F - 7167

1. Input Selector Switch ..... " CD "
2. Surround Mode Switch ..... " DOLBY PROLOGIC "
3. " SOURCE DIRECT " Switch ..... " Off "
4. And setting S - Signal Generator and A.C. Millivolt Meter.



1. Remove the Bonnet.
2. Setting are shown in " NOTE " and the " POWER (STANDBY) " key switch pushed On.
3. Put the feed S - signal ( Both L-ch. and R-ch. 212mVr.m.s. at 1kHz \*out-phase\* ) to " CD " input terminals.
4. Put the high impedance probe between " TP100 " and GND. .
5. Adjust " xVR1 " to get the 600mVr.m.s. .  
NOTICE : \*out-phase\* is " COSINE WAVE " and " SINE WAVE " signals on each channels.

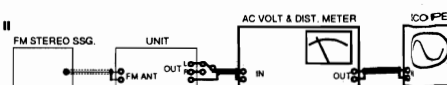
1. ボンネットを外す。(小ネジ9本/側面並び背面に各3本)
2. 用意(準備)は"条件書き"参照、電源スイッチ投入。
3. "CD"入力端子にS-signalを加える。  
(S-signalに就いては左側括弧内を参照下さい。)
4. "TP100"とGND.間にハイ・インピーダンス・プローブを接続する。
5. "xVR1"を600mVr.m.s.に調整する。  
告知 : \*out-phase\*とは各々のチャンネルに余弦波及び、正弦波が載っている信号の事です。

### 3-2. TUNER SECTION ADJUSTMENT ( For receiver only!! ) ( Board Number : F - 7179 ) ( For the other markets than Japanese!! )

#### 3-2-1. F.M. STEREOPHONIC DISTORTION ADJUSTMENT ( Fig. 2 and Fig. 4 )

- NOTE :
1. Input Selector Switch ..... " TUNER "
  2. Tuning Band Selector Switch ..... " FM "
  3. Tuning Mode Switch ..... " TUNING AUTO "
  4. SOURCE DIRECT ..... " On "
  5. And setting F.M. STEREOPHONIC Signal Generator, A.C. Milli-Volt & Distortion Meter and Wave Scope.

Fig. 2



( Connections of F.M. Tuning Test )

1. Remove the Bonnet.
2. Connections are shown in " Fig. 2 " and the " POWER (STANDBY) " key switch pushed On.
3. Put the feed radio frequency signal of stereophonic full modulation on Left channel only at 1kHz carried by frequency modulation wave of 65dBf at 98MHz from F.M. Stereophonic Signal Generator to " FM Antenna terminal " in the model.
4. Adjust the ferrite core in Intermediate Frequency Transformer on " F.M. Front-end ( Pack ) " to get minimum noise and distortion level on Left channel of REC ( OUT ) terminal at TAPE 1, TAPE 2 / MONITOR or VIDEO.

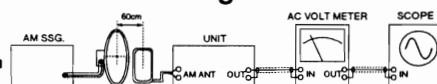
**3-2-2. F.M. MUTING LEVEL ADJUSTMENT ( Fig. 2 and Fig. 4 )**

**NOTE :** 1. Input Selector Switch ..... " **TUNER** " 2. Tuning Band Selector Switch ..... " **FM** "  
 3. Tuning Mode Switch ..... " **TUNING AUTO** " 4. SOURCE DIRECT ..... " **On** "  
 5. And setting F.M. STEREOPHONIC Signal Generator, A.C. Milli-Volt & Distortion Meter and Wave Scope.

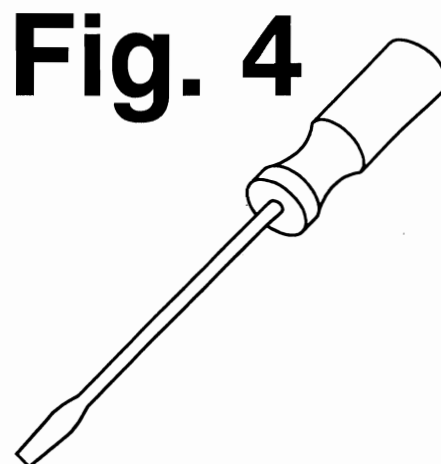
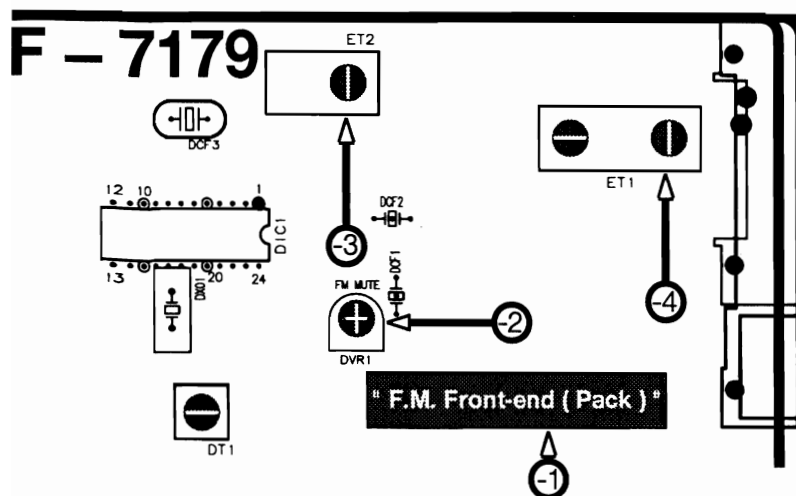
1. Remove the Bonnet.
  2. Connections are shown in " **Fig. 2** " ( before the page : **13** / section number : **3-2-1** ) and the " **POWER (STANDBY)** " key switch pushed On.
  3. Put the feed radio frequency signal of monophonic full modulation at 1kHz carried by frequency modulation wave at **98MHz** from F.M. Stereophonic Signal Generator to " **FM Antenna terminal** " in the model.
  4. Adjust the " **dVR1** " to get, at the Time radio frequency signal carried by frequency modulation wave at 25dBf, signals on both channels output terminals at 1kHz and each the time and radio frequency signal carried by frequency modulation wave at 24dBf, non signals on both channels output terminals at 1kHz.
- \* \*Output terminals are REC ( OUT ) terminal at TAPE 1, TAPE 2 / MONITOR or VIDEO.

**3-2-3. A.M. INTERMEDIATE FREQUENCY TRANSFORMER ADJUSTMENT ( Fig. 3 and Fig. 4 )**

**NOTE :** 1. Input Selector Switch ..... " **TUNER** "  
 2. Tuning Band Selector Switch ..... " **AM** "  
 3. Tuning Mode Switch ..... " **TUNING AUTO** "  
 4. SOURCE DIRECT ..... " **On** "  
 5. And setting A.M. Signal Generator, A.C. Milli-Volt Meter and Wave Scope.

**Fig. 3**

1. Remove the Bonnet.
  2. Connections are shown in " **Fig. 3** " and the " **POWER (STANDBY)** " key switch pushed On.
  3. Put the feed radio frequency signal of monophonic full modulation at 400Hz carried by amplitude modulation wave of **55dBm** at **1000kHz** or **999kHz** from A.M. Monophonic Signal Generator to " **AM Antenna terminal** " in the model.
  4. Adjust the " **eT2** " to get, at the maximum output signal level on output terminals .
- \* \*Output terminals are REC ( OUT ) terminal at TAPE 1, TAPE 2 / MONITOR or VIDEO. \* \*



# RZ-8100AV RZ-8150AV

## 3-2-4. A.M. TRACKING LEVEL ADJUSTMENT ( Fig. 3 and Fig. 4 ) [ Seni-Adjustment Free !! ]

**NOTE :** 1. Input Selector Switch ..... "TUNER " 2. Tuning Band Selector Switch ..... " AM " 3. Tuning Mode Switch ..... " TUNING AUTO " 4. SOURCE DIRECT ..... " On " 5. And setting A.M. Signal Generator, A.C. Milli-Volt Meter and Wave Scope.

**Must be A.M. TRACKING LEVEL ADJUSTMENT** if out of A.M. Usable Sensitivity in standard **specifications** at model code " R2910 ".

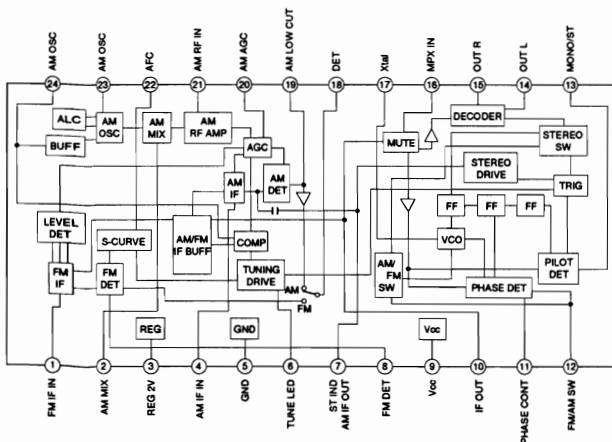
It is the signal to noise ratio more than 20dB on output terminal at put the feed radio frequency signal of monophonic full modulation at 400Hz carried by amplitude modulation wave of **64dBm** at **1000kHz** or **999kHz** from A.M. Monophonic Signal Generator to " **AM Antenna terminal** ".

1. Remove the Bonnet.
2. Connections are shown in " Fig. 3 " (before the page : 13 / section number : 3-2-3 ) and the " **POWER (STANDBY)** " key switch pushed On.
3. Put the feed radio frequency signal of monophonic full modulation at 400Hz carried by amplitude modulation wave of **55dBm** to **60dBm** at **600kHz** or **603kHz** from A.M. Monophonic Signal Generator to " **AM Antenna terminal** " in the model.
4. Adjust the " **ferrite core near the antenna terminal of eT2** " to get, at the maximum output signal level on output terminals .  
\* \*Output terminals are REC ( OUT ) terminal at TAPE 1, TAPE 2 / MONITOR or VIDEO.\* \*

# 5. INTERIOR BLOCK DIAGRAM & TERMINAL FUNCTION OF ICs / 使用ICの内部ブロック図及び、端子機能

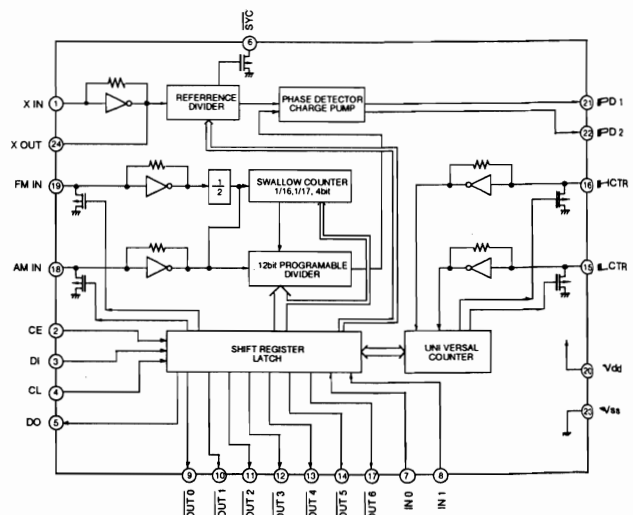
\* \*( For receiver only!! \* For the other markets than Japanese!! ) \* \*

### ● LA1832 < FM/AM RF MPX >



### ● LC7218

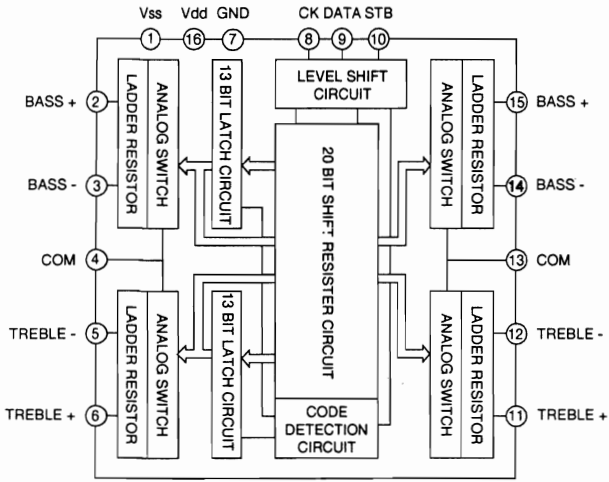
### <PLL FREQUENCY SYNTHESIZER>



\* \* ( For all models !! \* For World wide markets !! ) \* \*

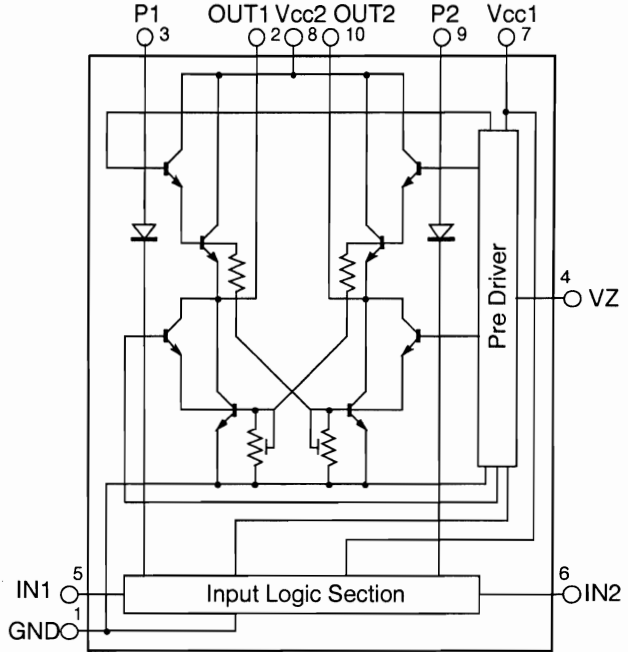
● TC9184P

< TONE CONTROL CIRCUIT >



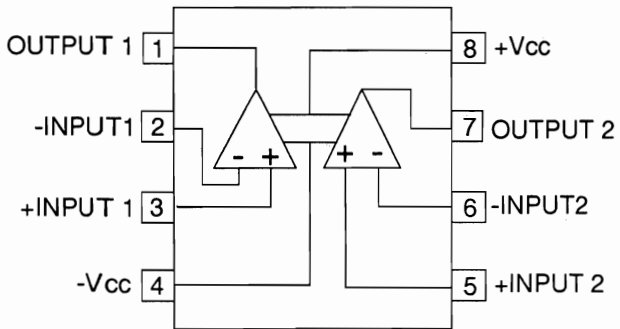
● LB1641

< MOTOR DRIVE CIRCUIT >



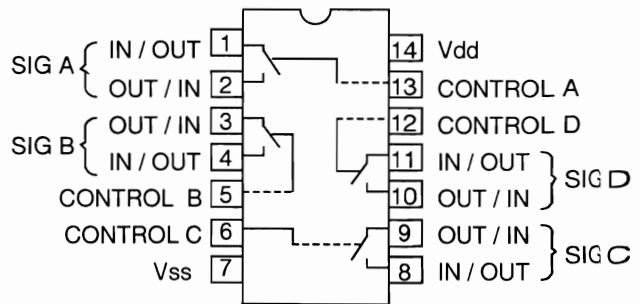
● 4558D, 4558L & 4558DX

< DUAL OPERATIONAL AMPLIFIERS >



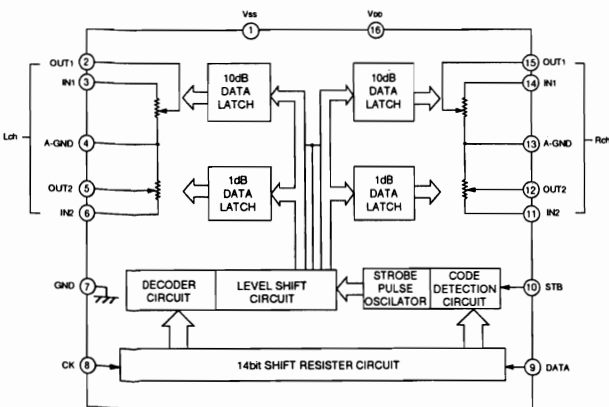
● 4066

< QUAD ANALOG SWITCHES >



● TC9213P

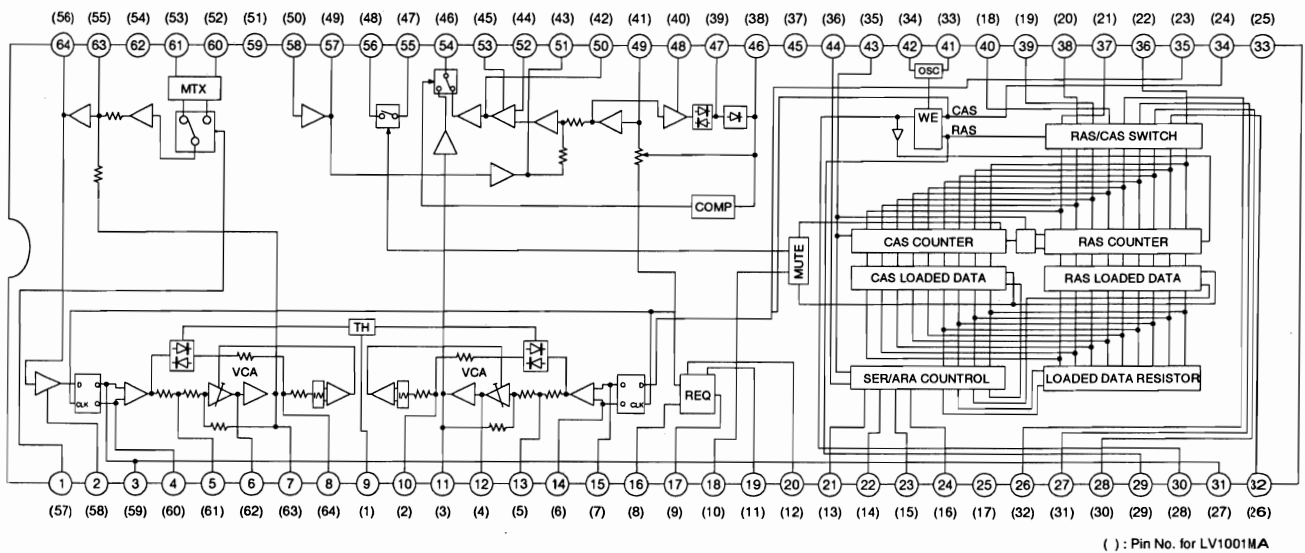
< ATTENUATORS CIRCUIT >





● **LV1001MA < DOLBY SURROUND PASSIVE DECODER >**

**BLOCK DIAGRAM**



( ) : Pin No. for LV1001MA

**TERMINAL FUNCTION**

| Pin No.      | Description   |
|--------------|---|
| 1(57)        | Delay input signal mode select switch (L+R / L-R)                             |
| 2(58)        | Filter for supply voltage on comparator                                       |
| 3, 15(7, 59) | Input filter for rectifier  |
| 4, 14(6, 60) | Input filter for rectifier  |
| 5, 13(5, 61) | Capacitor for pre-emphasis  |
| 6, 12(4, 62) | Capacitor for sliding band filter   |
| 7(63)        | Capacitor for sliding band filter and local decoder output                    |
| 8, 10(2, 64) | Capacitor for smoothing of rectifier output                                   |
| 9(1)         | De-couple capacitor for threshold voltage                                     |
| 11(3)        | Capacitor for sliding band filter and Delayed output                          |
| 16(8)        | Reference voltage   |
| 17(9)        | Reference voltage   |
| 18(10)       | Mute control  |
| 19(11)       | Vcc   |
| 20(12)       | Output for Vdd  |
| 21(13)       | Clock input for serial input, data input for parallel input mode              |
| 22(14)       | Data input for serial input, data for parallel input mode                     |
| 23(15)       | Column address selection for serial input, data input for parallel input mode |
| 24(16)       | Row address selection for serial input, data input for parallel input mode    |
| 25(17)       | Vdd   |

| Pin No.  | Description                                    |
|----------|--|
| 26 to 40 | Connection to memory device                    |
| 18 to 32 | Connection to memory device                    |
| 33(25)   | Vss  |
| 41(33)   | X'tal resonator for oscillator                 |
| 42(34)   | X'tal resonator for oscillator                 |
| 43(35)   | Long or short mode selection                   |
| 44(36)   | Serial or Parallel mode selection              |
| 45(37)   | For test mode                                  |
| 46(38)   | Smoothing for NR rectifier                     |
| 47(39)   | Smoothing for NR rectifier                     |
| 48(40)   | Capacitor for weighting on side chain path     |
| 49(41)   | Input for variable resistor                    |
| 50(42)   | NR output                                      |
| 51(43)   | 7kHz low pass filter output                    |
| 52(44)   | Input for NR                                   |
| 53(45)   | Capacitor for de-couple on NR                  |
| 54(46)   | Delay output for NR output                     |
| 55(47)   | Input for mute circuit                         |
| 56(48)   | Output for mute circuit                        |
| 57(49)   | Output for 7kHz low pass filter                |
| 58(50)   | Input for 7kHz low pass filter                 |
| 59(51)   | GND  |
| 60(52)   | Input for right channel                        |
| 61(53)   | Input for left channel                         |
| 62(54)   | Capacitor for de-couple on Fixed matrix output |
| 63(55)   | Noise shaping and delay input                  |
| 64(56)   | Noise shaping output                           |

# AV-7700

# AV-7150

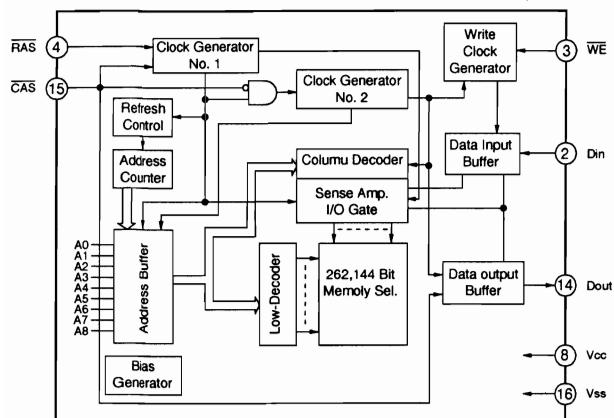
# AV-7100

# RZ-8150AV

# RZ-8100AV

## ● LM33256G – 12

### <DYNAMIC RANDOM ACCESS MEMORY>



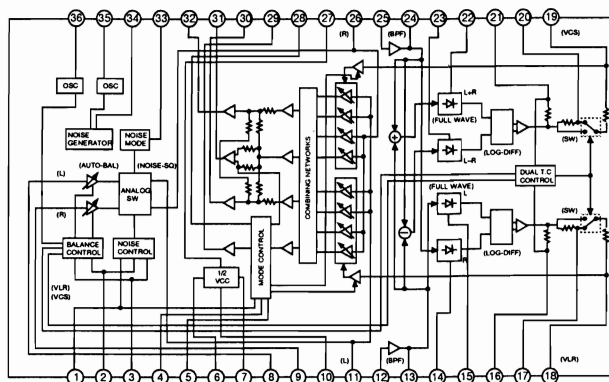
#### Terminal Function

| Pin No.            | Symbol  | Pin Name              |
|--------------------|---------|-----------------------|
| 2                  | Din     | Data input            |
| 3                  | WE      | Write Enable          |
| 4                  | RAS     | Row address strobe    |
| 8                  | Vcc     | Power supply (+5V)    |
| 14                 | Dout    | Data output           |
| 15                 | CAS     | Column address strobe |
| 16                 | Vss     | Power supply (0V)     |
| 1, 5, 6, 7, 9 ~ 13 | A0 ~ A8 | Address input         |

## ● LA2780N

### <PLL FREQUENCY SYNTHESIZER>

Block Diagram



#### Explanation of Pin Function

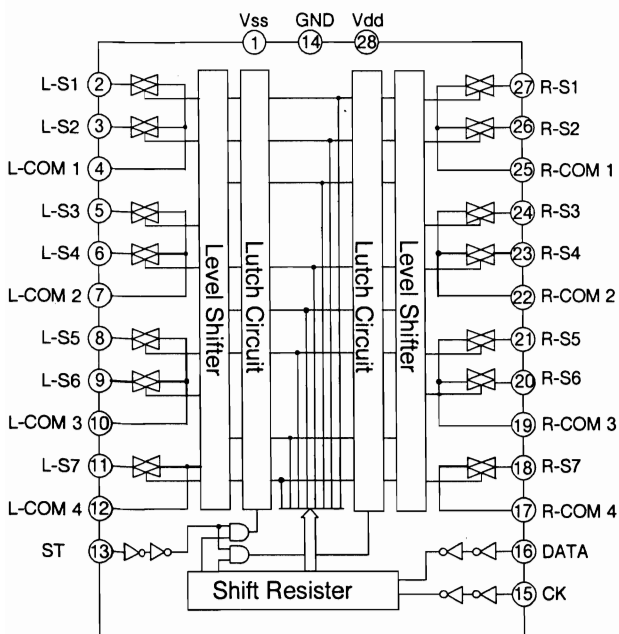
|    |  |    |  |
|----|--|----|--|
| 1  | Switch for 3 Channel Logic/Pro Logic/Noise Sequencer     | 19 | VCS Smoothing Capacitor for Dual Time Constant           |
| 2  | Noise Sequencer L SB                                     | 20 | VCS Smoothing Capacitor for Dual Time Constant           |
| 3  | Noise Sequencer MSB/Auto Balance On/Off Switch           | 21 | VCS Smoothing Capacitor for Dual Time Constant Threshold |
| 4  | Center Mode Control Switch 1                             | 22 | L - R Smoothing Capacitor for Full Wave Rectifier        |
| 5  | Center Mode Control Switch 2                             | 23 | L - R Smoothing Capacitor for Full Wave Rectifier        |
| 6  | VREF   | 24 | RT Buffer Output for Full Wave Rectifier                 |
| 7  | AC GND   | 25 | RT Buffer Input for Full Wave Rectifier                  |
| 8  | LT Input   | 26 | RT Output (Noise Sequencer/Auto Balance Output)          |
| 9  | RT Input   | 27 | VCC  |
| 10 | GND  | 28 | Capacitor for Center Mode Control                        |
| 11 | LT Output (Noise Sequencer/Auto Balance Output)          | 29 | S Channel Output   |
| 12 | LT Buffer Input for Full Wave Rectifier                  | 30 | R Channel Output   |
| 13 | LT Buffer Output for Full Wave Rectifier                 | 31 | C Channel Output   |
| 14 | R Smoothing Capacitor for Full Wave Rectifier            | 32 | L Channel Output   |
| 15 | L Smoothing Capacitor for Full Wave Rectifier            | 33 | Pseudo Random Noise Input                                |
| 16 | VLR Smoothing Capacitor for Dual Time Constant Threshold | 34 | Pseudo Random Noise Output                               |
| 17 | VLR Smoothing Capacitor for Dual Time Constant           | 35 | Oscillation Capacitor for Pseudo Random Noise Generator  |
| 18 | VLR Smoothing Capacitor for Dual Time Constant           | 36 | Oscillation Capacitor for Auto Balance                   |

#### Notes on using this IC

- Switching pop noise  
Switching pop noise occurs at output channels, front side in center mode control, and surround side in 3 channel logic control. Since these noise is marked, please add mute circuits at output stages in mode control.
- Measurement for matrix rejection  
Measure matrix rejection in wide mode.
- Control pins for auto balance  
\*Setting pin2  
Pin2 is set to "H" when auto balance is activated. In noise sequencer mode, refer noise sequencer setting.  
\*Setting pin3  
Pin3 is used as auto balance on mode in "H" and stop mode in "L". In auto balance stop mode, balance adjustment circuit hold in the condition in which left and right channel are set to the same balance (not adjusted condition).

## ● TC9162N

### <COMPLEX ANALOG MULTIPLEX>



#### Mode Control Map

| Mode                             | Pin1 | Pin2 | Pin3 | Pin4 | Pin5 |
|----------------------------------|------|------|------|------|------|
| Normal                           | Open | H    | X    | L    | L    |
| Phantom                          | Open | H    | X    | H    | L    |
| Wide                             | Open | H    | X    | L    | H    |
| 3 Channel Logic                  | H    | H    | X    | X    | X    |
| Auto Balance On                  | X    | H    | H    | X    | X    |
| Auto Balance Off                 | X    | H    | L    | X    | X    |
| Noise Sequencer L Channel Output | L    | L    | L    | X    | X    |
| Noise Sequencer C Channel Output | L    | H    | L    | X    | X    |
| Noise Sequencer R Channel Output | L    | L    | H    | X    | X    |
| Noise Sequencer S Channel Output | L    | H    | H    | X    | X    |
| Pro Logic Off Mode               | H    | H    | X    | H    | H    |

**RZ-8100AV****RZ-8150AV****AV-7100****AV-7150****AV-7700**

● **TMP47C1270AN – H221 < MICRO PROCESSING UNIT >**

| Pin No. | Pin Name   | I/O | Function                 |
|---------|------------|-----|--------------------------|
| 1       | Vf         |     | FL POWER SUPPLY          |
| 2 ~ 13  | S0 ~ S11   | O   | FL SEGMENT OUTPUT        |
| 14      | K00        | I   | HEAD PHONE INPUT         |
| 15      | K01        | I   | BACK UP VOLTAGE INPUT    |
| 16      | K02        | I   | FREQUENCY COUNT (TUNED)  |
| 17      | K03        | I   | KEY INPUT DIODE          |
| 18      | TEST       |     | GND                      |
| 19 ~ 20 | XIN/OUT    |     | QUARTZ OSCILLATOR (6MHz) |
| 21      | RESET      |     | RESET SIGNAL INPUT       |
| 22      | HOLD       |     | HOLD SIGNAL INPUT        |
| 23      | PWM        | O   | PROTECTOR OUTPUT         |
| 24 ~ 27 | K1 ~ K4    | I   | KEY INPUT                |
| 28      | SSB PUT    | O   | SSB OUT                  |
| 29      | P. OUT     | O   | POWER ON/OFF SIGNAL      |
| 30      | T. MUTE    | O   | TUNER MUTE SIGNAL        |
| 31      | DECK P. O. | O   | DECK PAUSE SIGNAL OUT    |
| 32      | GND        |     |                          |

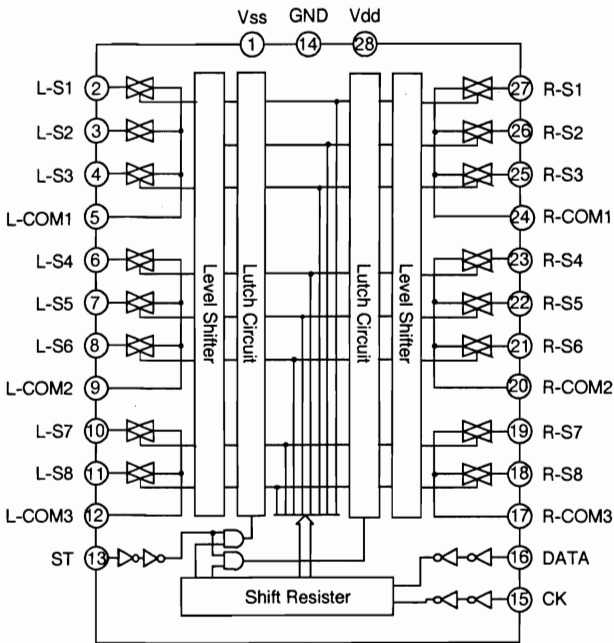
| Pin No. | Pin Name  | I/O | Function            |
|---------|-----------|-----|---------------------|
| 33      | UP        | O   | VOLUME UP           |
| 34      | DN        | O   | VOLUME DOWN         |
| 35      | LED       | O   | VOLUME LED          |
| 36      | S. MUTE   | O   | SIGNAL MUTE         |
| 37      | A         | O   | TC4028 A            |
| 38      | B         | O   | TC4028 B            |
| 39      | C         | O   | TC4028 C            |
| 40      | STB       | O   | LC7218 STB          |
| 41      | REM       | I   | REMOTE SIGNAL INPUT |
| 42      | STEREO    | I   | STEREO ON/OFF       |
| 43      | 9/10      | I   | 9k/10k              |
| 44      | CK EN     | O   | CLOCK ENABLE OUT    |
| 45      | DATA IN   | I   | SERIAL DATA INPUT   |
| 46      | DATA OUT  | O   | SERIAL DATA OUTPUT  |
| 47      | CK        | O   | SERIAL CLOCK OUTPUT |
| 48 ~ 59 | G15 ~ G4  | O   | FL DIGIT OUTPUT     |
| 60 ~ 63 | S15 ~ S12 | O   | FL SEGMENT OUTPUT   |
| 64      | Vdd       |     | 5V                  |

• **KEY MATRIX**

| S   | TACT SWITCH      |               |                  |             | DIODE(K03) |             |
|-----|------------------|---------------|------------------|-------------|------------|-------------|
|     | K0 IN1           | K1 IN2        | K2 IN3           | K3 IN4      | USED(H)    | NOT USED(L) |
| S00 | THEATER          | CD            | 10KEY 3          | PRESET SCAN |            |             |
| S01 | HALL             | VIDEO         | 10KEY 2          | CHARACTER   |            |             |
| S02 | SOUND PARAM.     | LD            | 10KEY 1          | AUTO / MANU |            |             |
| S03 | MULTI FUN. LEFT  | TAPE-2 / MON  | 10KEY 8          | CLEAR       |            |             |
| S04 | MULTI FUN. UP    | TONE          | 10KEY 7          | BAND        |            |             |
| S05 | MULTI FUN. DOWN  | LOUDNESS      | 10KEY 6          | MEMORY      |            |             |
| S06 | PRO-LOGIC        | TUNER         | 10KEY 4          | ENTER       |            |             |
| S07 | DOVE             | TAPE-1        | 10KEY 5          | F. DIRECT   |            |             |
| S08 | MULTI FUN. RIGHT | SOURCE DIRECT | KARAOKE          | POWER       |            |             |
| S09 | NATURAL          | TUNING DOWN   | 10KEY 0 / 10     |             | LW USED    | LW NOT USED |
| S10 | 2 CH STEREO      | PHONO         | 10KEY 9          |             | D. LOW     | D. HIGH     |
| S11 |                  | TUNING UP     | INDEX STATION M. |             | JAPAN      | EXPORT      |

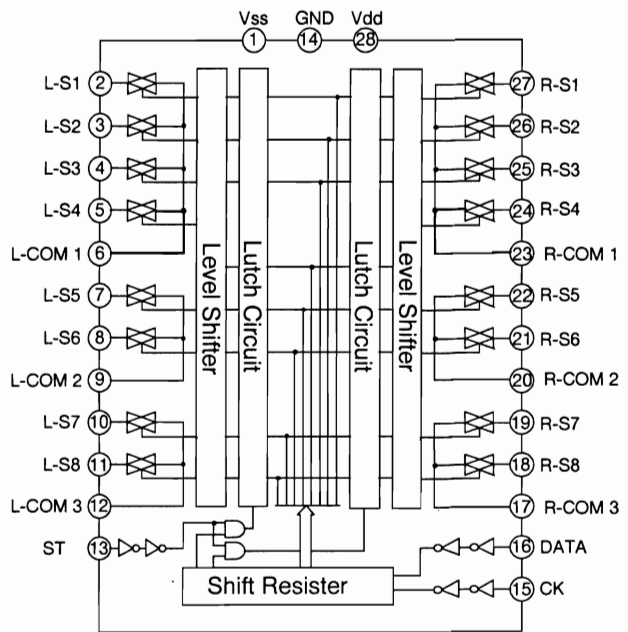
● **TC9163P**

◀ **COMPLEX ANALOG MULTIPLEX** ▶



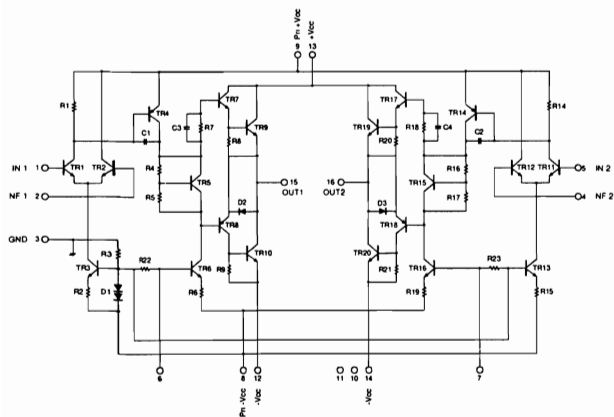
● **TC9163P**

◀ **COMPLEX ANALOG MULTIPLEX** ▶

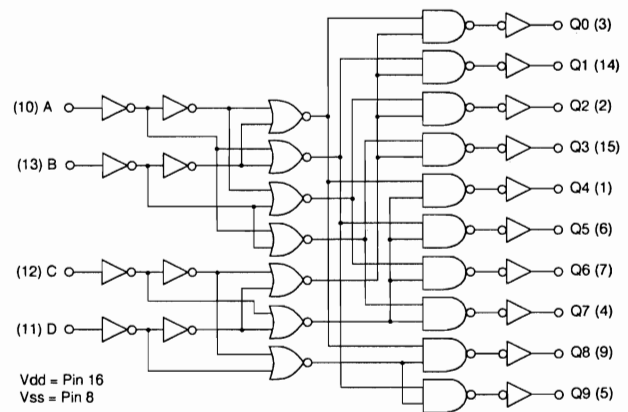


● **STK401 - 40 & STK401 - 330**

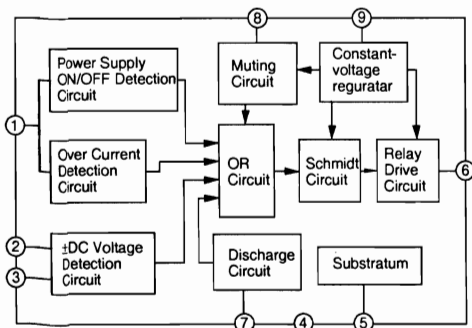
◀ **HYBRID MAIN AMPLIFIER CIRCUIT** ▶



● **4028PB** ◀ **BCD - DECIMAL DECODER** ▶



● **TC7317P** ◀ **PROTECTOR CIRCUIT** ▶



| INPUT |   |   |   | OUTPUT |    |    |    |    |    |    |    |    |    |
|-------|---|---|---|--------|----|----|----|----|----|----|----|----|----|
| D     | C | B | A | Q9     | Q8 | Q7 | Q6 | Q5 | Q4 | Q3 | Q2 | Q1 | Q0 |
| L     | L | L | L | L      | L  | L  | L  | L  | L  | L  | L  | L  | H  |
| L     | L | L | H | L      | L  | L  | L  | L  | L  | L  | L  | L  | H  |
| L     | L | H | L | L      | L  | L  | L  | L  | L  | L  | H  | L  | L  |
| L     | L | H | H | L      | L  | L  | L  | L  | L  | H  | L  | L  | L  |
| L     | H | L | L | L      | L  | L  | L  | L  | H  | L  | L  | L  | L  |
| L     | H | L | H | L      | L  | L  | L  | H  | L  | L  | L  | L  | L  |
| L     | H | H | L | L      | L  | H  | L  | L  | L  | L  | L  | L  | L  |
| L     | H | H | H | L      | L  | H  | L  | L  | L  | L  | L  | L  | L  |
| H     | L | L | L | L      | H  | L  | L  | L  | L  | L  | L  | L  | L  |
| H     | L | L | H | H      | L  | L  | L  | L  | L  | L  | L  | L  | L  |
| H     | L | H | L | L      | L  | L  | L  | L  | L  | L  | L  | L  | L  |
| H     | L | H | H | L      | L  | L  | L  | L  | L  | L  | L  | L  | L  |
| H     | H | L | L | L      | L  | L  | L  | L  | L  | L  | L  | L  | L  |
| H     | H | L | H | L      | L  | L  | L  | L  | L  | L  | L  | L  | L  |
| H     | H | H | L | L      | L  | L  | L  | L  | L  | L  | L  | L  | L  |
| H     | H | H | H | L      | L  | L  | L  | L  | L  | L  | L  | L  | L  |

**RZ-8100AV**

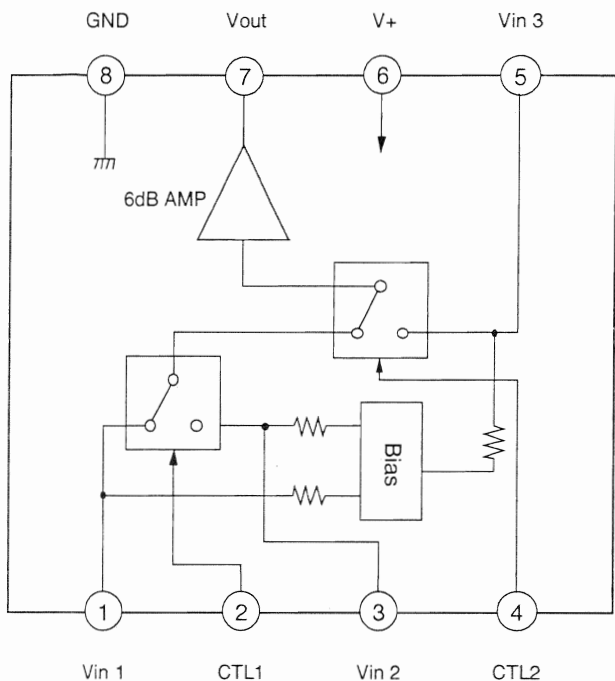
**RZ-8150AV**

**AV-7100**

**AV-7150**

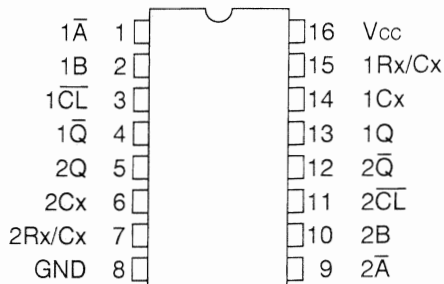
**AV-7700**

● **JM2245D** < VIDEO SELECTOR >



| CTL1 | CTL2 | Vout  |
|------|------|-------|
| L    | L    | Vin 1 |
| H    | L    | Vin 2 |
| L/H  | H    | Vin 3 |

● **74HC123AP**  
< DUAL MONOSTABLE MULTIVIBRATOR >



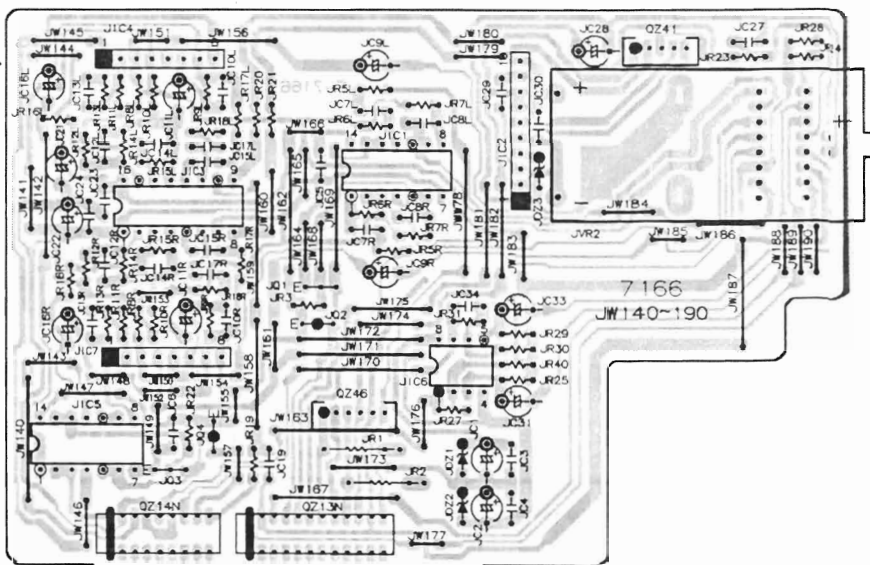
(TOP VIEW)

| INPUT |   |        | OUTPUT |       | NOTE          |
|-------|---|--------|--------|-------|---------------|
| A-bar | B | CL-bar | Q      | Q-bar |               |
| L     | H | H      | □      | □     | OUTPUT ENABLE |
| X     | L | H      | L      | H     | INHIBIT       |
| H     | X | H      | L      | H     | INHIBIT       |
| L     | L | H      | □      | □     | OUTPUT ENABLE |
| L     | H | L      | □      | □     | OUTPUT ENABLE |
| X     | X | L      | L      | H     | INHIBIT       |

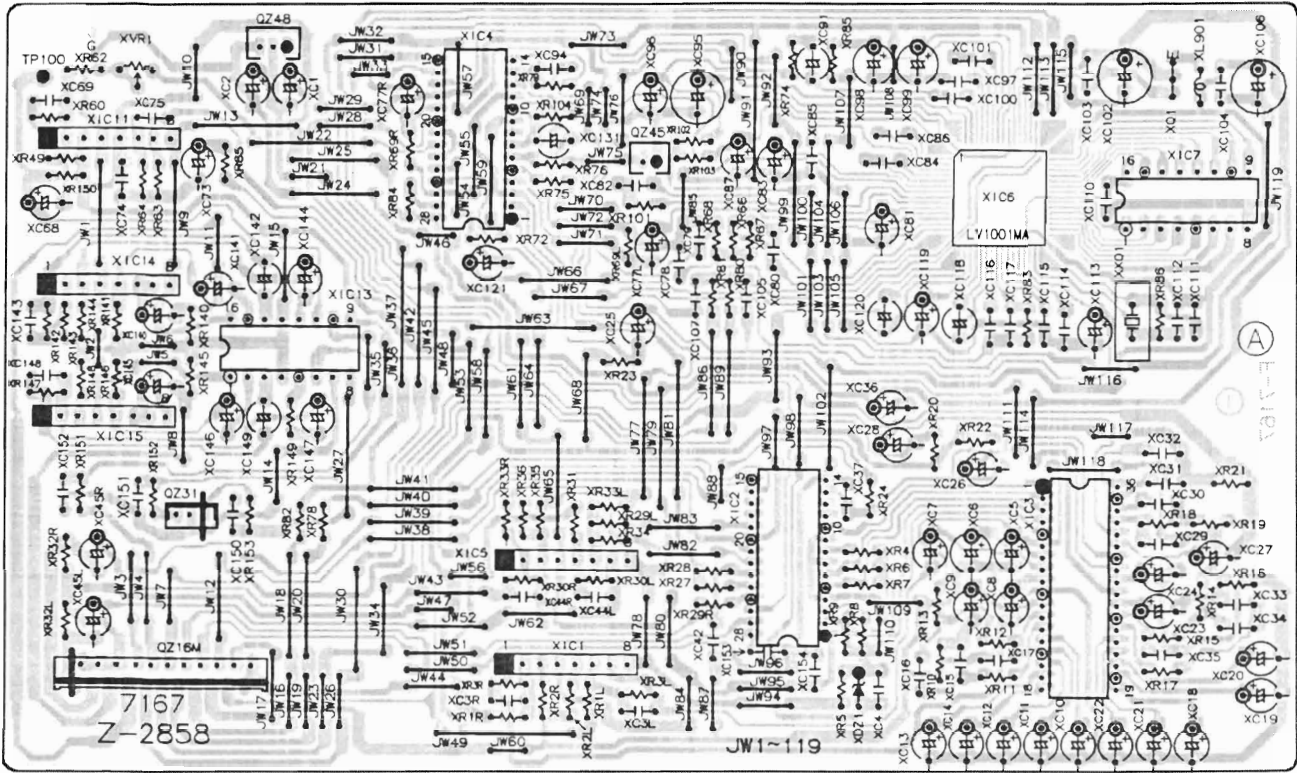
X: Don't Care

# 6. PARTS LOCATION ON PRINTED CIRCUIT BOARD / プリント基板の部品配置図

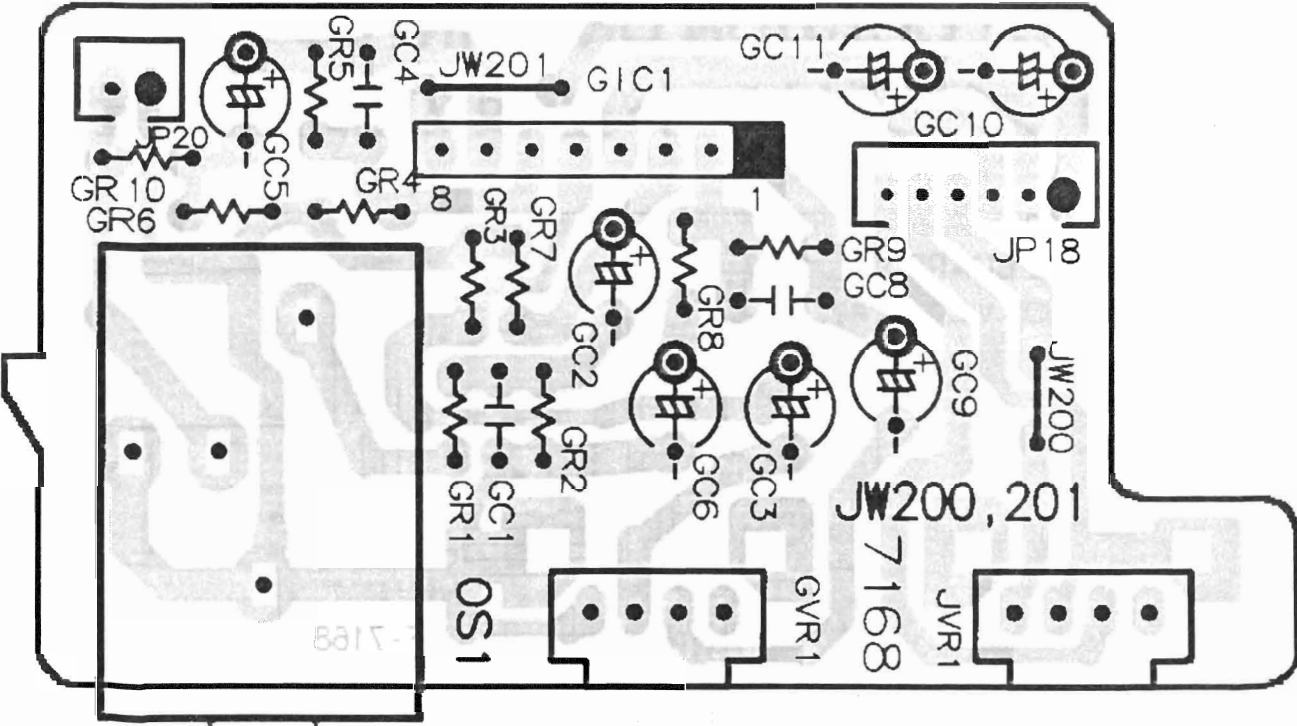
● **F-7166**  
< AUDIO CONTROL BOARD >  
( COMPONENT SIDE VIEW )



● F - 7167 < D.S.P. - SURROUND & VOICE CANCEL BOARD >  
( COMPONENT SIDE VIEW )



● F - 7168 < MICROPHONE AMPLIFIER BOARD > ( COMPONENT SIDE VIEW )



RZ-8100AV

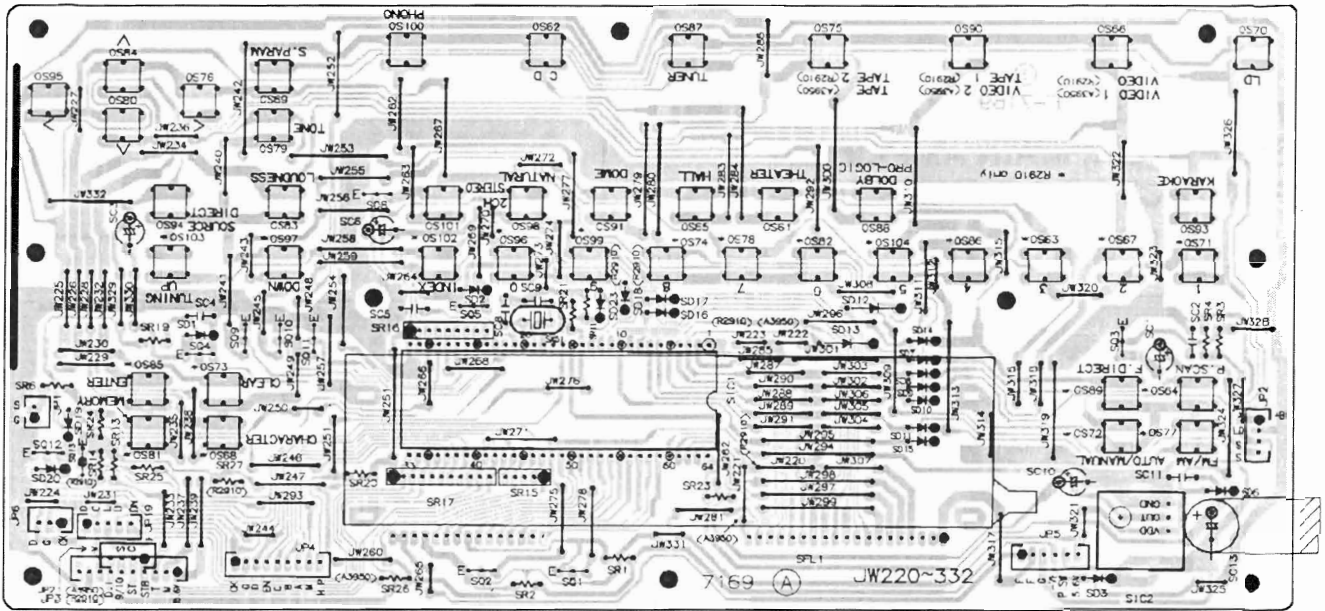
RZ-8150AV

AV-7100

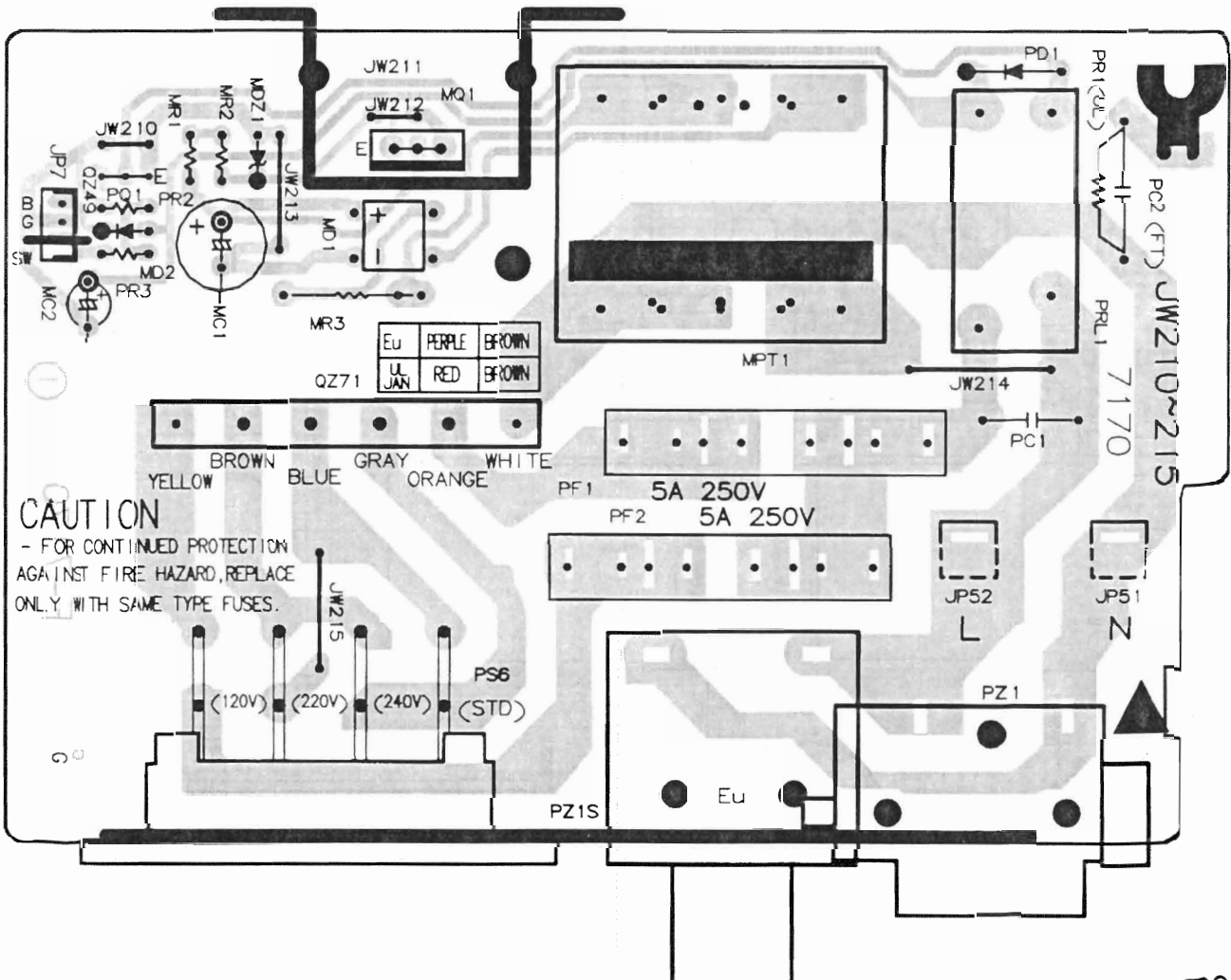
AV-7150

AV-7700

● F - 7169 < SYSTEM CONTROL & DISPLAY BOARD > (COMPONENT SIDE VIEW)



● F - 7170 < A.C. POWER CONTROL & LINE BOARD > (COMPONENT SIDE VIEW)



**CAUTION**  
 - FOR CONTINUED PROTECTION  
 AGAINST FIRE HAZARD, REPLACE  
 ONLY WITH SAME TYPE FUSES.



AV-7700

AV-7150

AV-7100

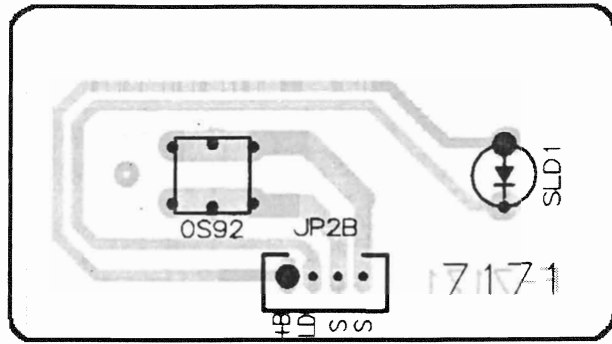
RZ-8150AV

RZ-8100AV

● F - 7171

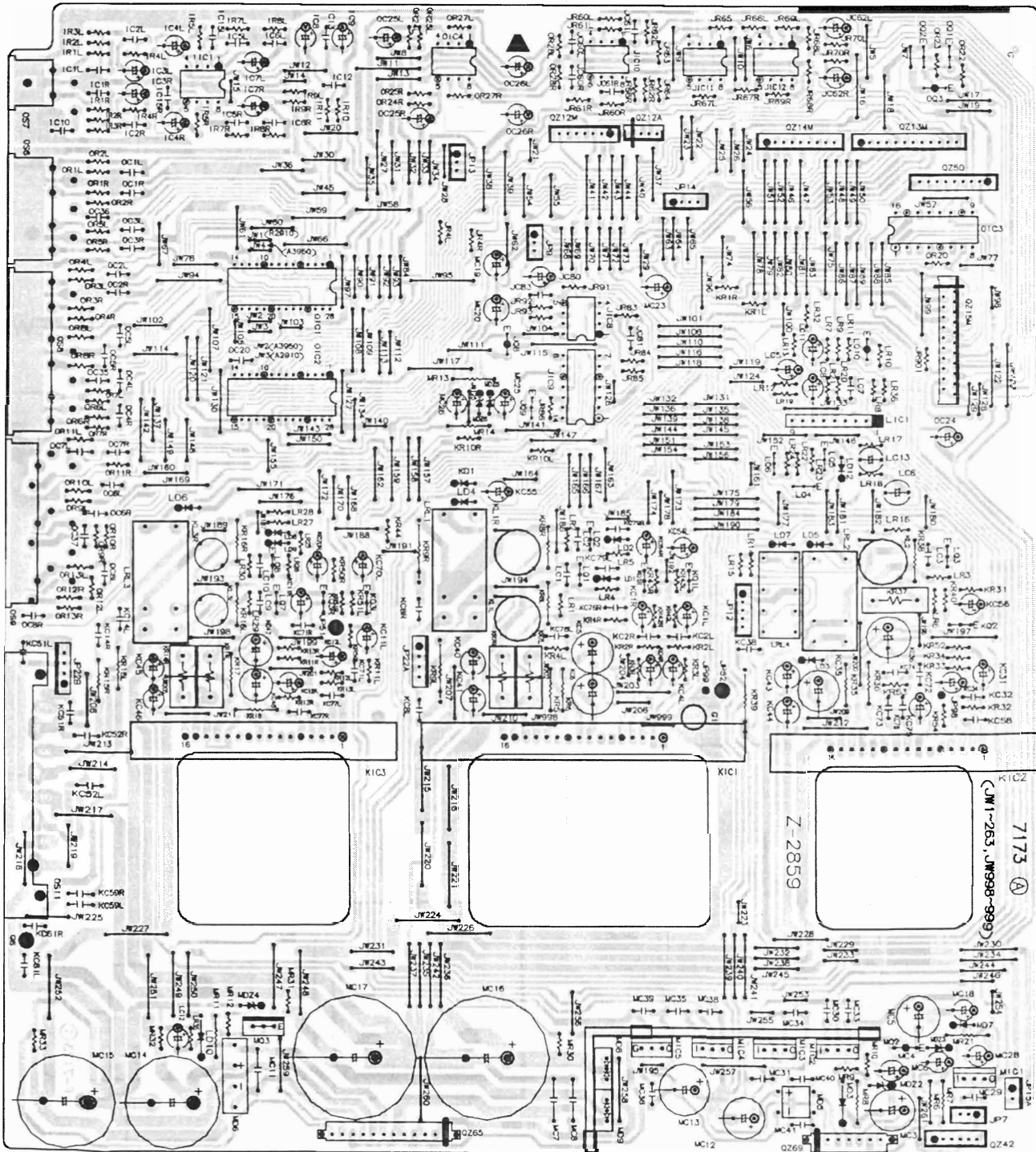
◀ POWER KEY SWITCH BOARD ▶

(COMPONENT SIDE VIEW) →



● F - 7173 ◀ MAIN BOARD ( AUDIO SELECTOR, MAIN AMPLIFIER, PROTECTOR & POWER SUPPLY ) ▶

(COMPONENT SIDE VIEW) ↓





**RZ-8100AV**

**RZ-8150AV**

**AV-7100**

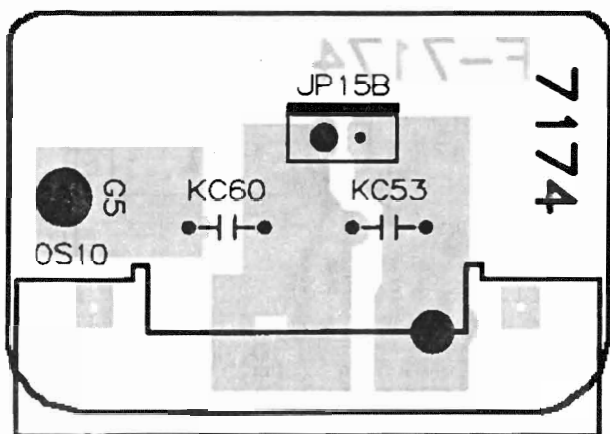
**AV-7150**

**AV-7700**

● F - 7174

**<CENTER SPEAKER TERMINAL BOARD>**

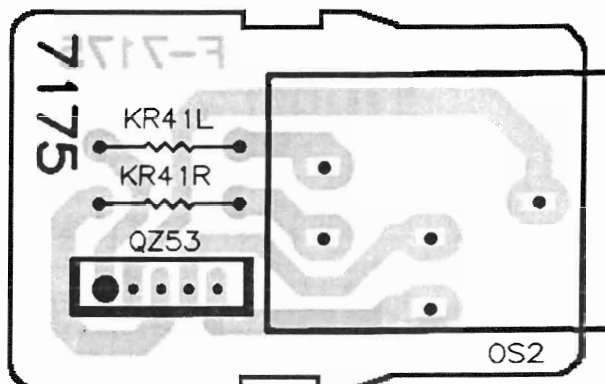
( COMPONENT SIDE VIEW )



● F - 7175

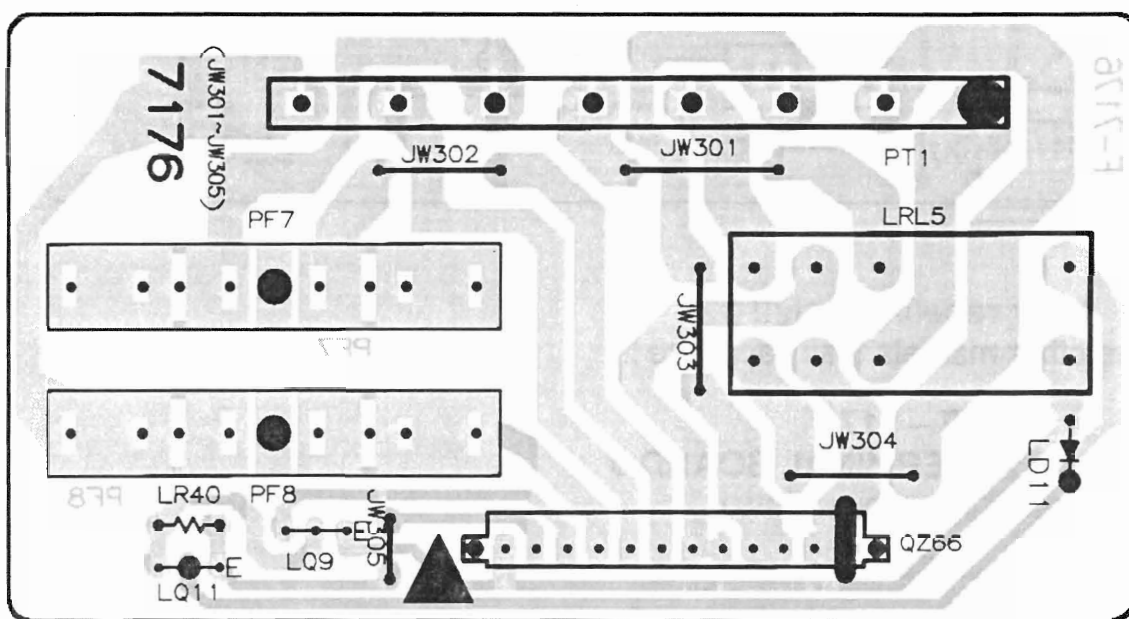
**<HEADPHONE JACK TERMINAL BOARD>**

( COMPONENT SIDE VIEW )



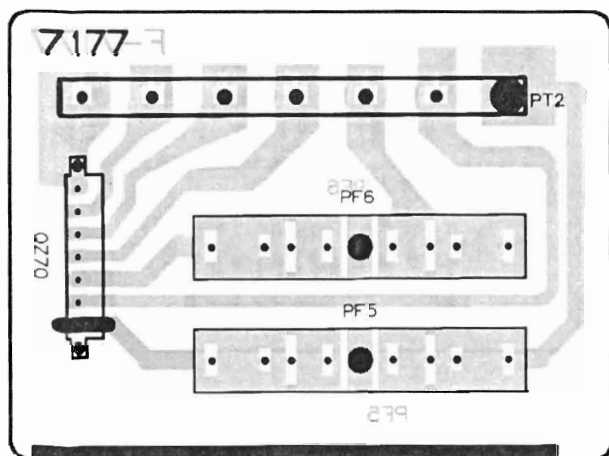
● F - 7176

**< OUTPUT POWER SELECTOR BOARD >** ( COMPONENT SIDE VIEW )



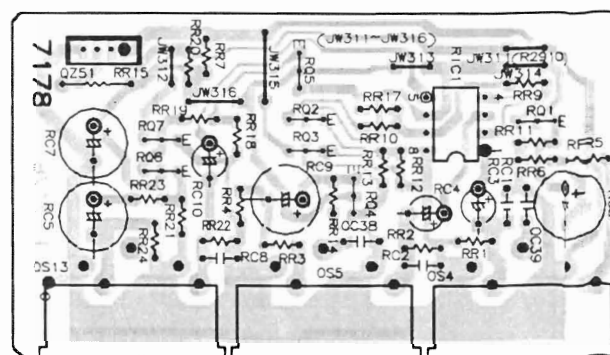
● F - 7177<SECONDARY FUSE BOARD>

( COMPONENT SIDE VIEW )



● F - 7178<VIDEO SELECTOR BOARD>

( COMPONENT SIDE VIEW )



AV-7700

AV-7150

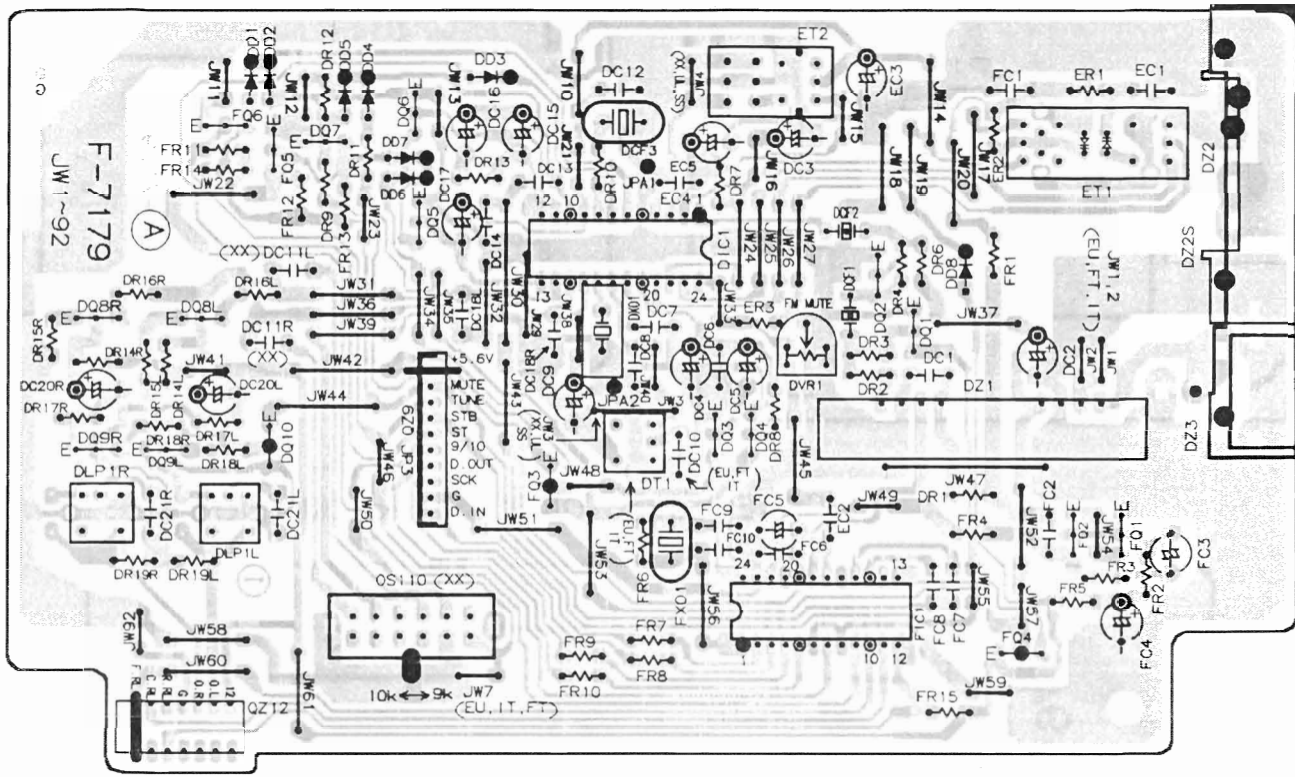
AV-7100

RZ-8150AV

RZ-8100AV

\*( For receiver only!! \* For the other markets than Japanese!! )\*

● F - 7179 < MICROPHONE AMPLIFIER BOARD > ( COMPONENT SIDE VIEW )



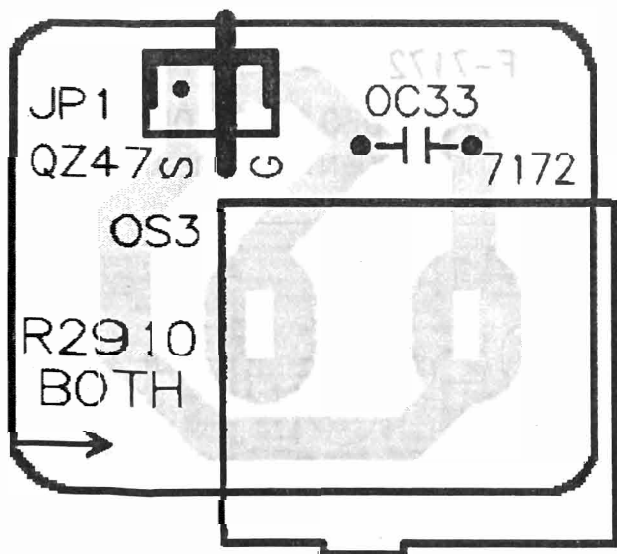
( For receiver only!! )

(For the other markets than Japanese !!)

● F - 7172

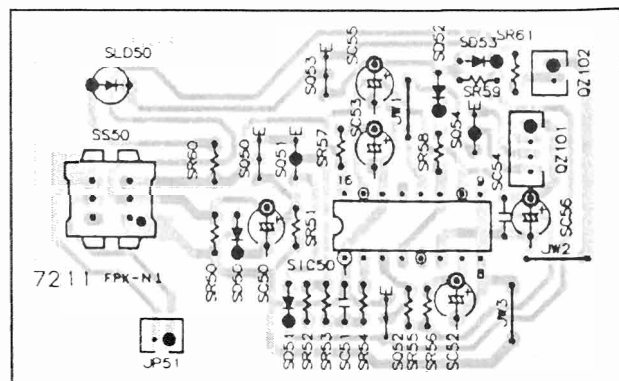
< BUS - LINE TERMINAL BOARD >

( COMPONENT SIDE VIEW )



● F - 7211 < DE - BUG CIRCUIT BOARD >

( COMPONENT SIDE VIEW )



# 7. PARTS LIST OF PRINTED CIRCUIT BOARD ／プリント基板部品表

## Notice for Parts

1. Some printed circuit board are not supplied assembled.  
To separate these in this Service Manual, the stock numbers are not indicated for these boards. However, stock numbers for individual parts are indicated.
2. Since some capacitors and resistors are omitted from parts lists in service manual, refer to the Common Parts List for capacitors and resistors, which was issued on June 1987.
3. Abbreviations in this Parts List are as follows.

## 部品供給上の注意

1. プリント基板の中には、アッセンブリー供給できないものがあります。  
基板番号の後にストック番号の付いていないものは、アッセンブリー供給できませんのでご注意ください。  
ただし、基板上の個々の部品については供給いたします。
2. 部品表に記載されていない、抵抗・コンデンサーがあります。  
それらについては、1987年3月発行の新規標準抵抗・コンデンサーパーツ・リストを参照してください。
3. このマニュアルには、略語が使用されております、それらについては略語表を参照してください。

### Abbreviations List

|   |   |  |
|---|---|--|
| <b>A.C.</b> : Array Capacitor                             | <b>E.C.</b> : Electrolytic Capacitor          | <b>A.R.</b> : Array Resistor             |
| <b>C.C.</b> : Ceramic Capacitor                           | <b>E.L.</b> : Low Leak Electrolytic Capacitor | <b>C.R.</b> : Carbon Resistor            |
| <b>C.T.</b> : Ceramic Capacitor, Temperature Compensation | <b>F.C.</b> : Film Capacitor                  | <b>Ce.R.</b> : Cement Resistor           |
| <b>Chip.C.:</b> Chip Capacitor                            | <b>M.M.C.</b> : Metalized Mylar Capacitor     | <b>Chip.R.:</b> Chip Resistor            |
| <b>E.B.</b> : Bi-Polar Electrolytic Capacitor             | <b>M.P.</b> : Metalized Paper Capacitor       | <b>F.R.</b> : Fusing Resistor            |
| <b>E.B.L.</b> : Low Leak Bi-Polar Electrolytic Capacitor  | <b>P.C.</b> : Polystyrene Capacitor           | <b>M.R.</b> : Metal Film Resistor        |
|   | <b>Ta.C.</b> : Tantalum Capacitor             | <b>N.I.R.</b> : Non-Inflammable Resistor |
|   | <b>SW.</b> : Switch                           | <b>S.R.</b> : Solid Resistor             |
|   |   | <b>S.V.R.</b> : Semi Variable Resistor   |
|   |   | <b>V.R.</b> : Variable Resistor          |

\* \* (For amplifier only !! \* Model Name : AV - 7100 , AV - 7150 , AV - 7700 ) \* \*

### ● F - 7166B AUDIO CONTROL BOARD

< Stock No. 01408700 , 5 > / 音声調整基板

Parts No. Stock No. Description

#### ● TRANSISTOR

|     |          |          |
|-----|----------|----------|
| jQ1 | 46719900 | DTC124ES |
| jQ2 | 46719800 | DTA124ES |
| jQ3 | 46719900 | DTC124ES |
| jQ4 | 46719800 | DTA124ES |

#### ● IC

|      |             |                |
|------|-------------|----------------|
| jIC1 | 07224800    | TC4066BP       |
|      | or 46421000 | μPD4066BC      |
|      | or 48063800 | BU4066B        |
| jIC2 | 48982600    | LB1641         |
| jIC3 | 49558900    | TC9184P        |
| jIC4 | 49439500    | NJM4558L OPAMP |
| jIC5 | 07224800    | TC4066BP       |

Parts No. Stock No. Description

or 46421000 μPD4066BC

or 48063800 BU4066B

jIC6 03607700 NJM4558D OPAMP

jIC7 49439500 NJM4558L OPAMP

#### ● ZENER DIODE

jDZ1 49677900 MTZJ9.1A

or 49678000 MTZJ9.1B

jDZ2 49677900 MTZJ9.1A

or 49678000 MTZJ9.1B

jDZ3 49675800 MTZJ4.7A

or 49675900 MTZJ4.7B

ΔjR1 49852100 N.I.R 1/2W 100 Ω

ΔjR2 49852100 N.I.R 1/2W 100 Ω

jVR2 49957600 V.R. 100 KΩ (B) X 4 WITH LEAD.

ΔpF7 49593900 FUSE 125V 4A

# AV-7700 AV-7150 AV-7100

## ● F - 7167B D.S.P. - SURROUND & VOICE CANCEL BOARD / サラウンド基板

< Stock No. 01408800 >

Parts No. Stock No. Description

### ●TRANSISTOR

xQ1 46359801 2SC2001

### ●IC

xIC1 49439500 NJM4558L OPAMP

xIC2 49471900 TC9162N

xIC3 49915800 LA2780N

xIC4 49471900 TC9162N

xIC5 49439500 NJM4558L OPAMP

xIC6 49915900 LV1001MA

xIC7 49916000 LM33256G-12

or 49916200 LH21256-12

or 49963700 LC32256P-80

xIC11 49439500 NJM4558L OPAMP

xIC13 49440100 TC9213P

xIC14 49439500 NJM4558L OPAMP

xIC15 49439500 NJM4558L OPAMP

xXO1 49774600 QUARTZ ELEMENT HC-49/S 8MHz

### ●ZENER DIODE

xDZ1 49676400 MTZJ5.6A

or 49676500 MTZJ5.6B

xC84 49929300 F.C. 100V 150pF APS (P.P.)

xC101 49929300 F.C. 100V 150pF APS (P.P.)

xL901 48289400 INDUCTOR 10  $\mu$ H AXIAL FERRI

xVR1 48079600 S.V.R. 47 k $\Omega$  (B)

## ● F - 7168B MICROPHONE AMPLIFIER

< Stock No. 01408900 > BOARD / マイク基板

Parts No. Stock No. Description

### ●IC

gIC1 49472700 NJM4558L - D OPAMP

gC1 48662800 C.C. 50V 150 pF

gVR1 49957400 V.R. 5k $\Omega$  (B)

jVR1 49957500 V.R. 250k $\Omega$  (W)

oS1 83375600 JACK HTJ - 064 - 03PG

## ● F - 7169B SYSTEM CONTROL & DISPLAY BOARD / システム・コントロール表示基板

< Stock No. 01409000 >

Parts No. Stock No. Description

oS61 to 101 49326300 PUSH SW. SKHVBE 5H160G TACT

## ● F - 7169B

Parts No. Stock No. Description

sIC2 49550900 REMOTE CONTIROL RECEIVER SBX1610-52

### ●TRANSISTOR

sQ1, 2 48223100 DTC114TS

sQ3 to 5 46834300 DTC144ES

sQ8, 9 46719900 DTC124ES

sQ10,11 46719900 DTC124ES

sQ12 48217800 DTC114ES

sQ13 46719800 DTA124ES

### ●IC

sIC1 49959100 **M. P. U.** TMP47C870N-H561Z

sXO1 49745500 QUARTZ ELEMENT HC-49/S 6MHz

### ●DIODE

sD1

to 11 46464100 1SS133

sD12,13 03117600 1S2473

sD14

to 19 46464100 1SS133

sFL1 49959000 F.L. DISPLAY TUBE R CH1431C

sR15 48765400 A.R. 4 - 2.2 k $\Omega$

sR16 48773600 A.R. 8 - 10 k $\Omega$

sR17 48777300 A.R. 10 - 10 k $\Omega$

sC2 to 11 49417000 C.C. 50V 0.1 $\mu$ F

sC13 48797300 E.L. 5.5V 3300  $\mu$ F (for Back Up)

## ● F - 7170B A.C. POWER CONTROL & LINE BOARD / 電源一次コントロール基板

< Stock No. 01409100, 1, 2, 5 >

Parts No. Stock No. Description

### ●TRANSISTOR

$\Delta$  mQ1 48508801 2SC3851

### ●DIODE

$\Delta$  mD1 46273600 DBB10B

mD2 46464100 1SS133

### ●ZENER DIODE

mDZ1 49678900 MTZJ12A

or 49679000 MTZJ12B

$\Delta$  mR3 49863700 N.I.R. 1W 4.7  $\Omega$

$\Delta$  mPT1 15046000 POWER TRANSFORMER A395000-B

83335901 POWER TRANSFORMER R3950XX-B

83335902 POWER TRANSFORMER R3950CL-B

83335905 POWER TRANSFORMER R3950EU-B

### ●TRANSISTOR

pQ1 46367101 2SC2603

### ●DIODE

$\Delta$  pD1 48123600 11E2

## ● F - 7170B

| Parts No. | Stock No. | Description                      |
|-----------|-----------|----------------------------------|
| △ pC1     | 46425800  | C.C. 250V 0.01 μF                |
| △ pC2     | 48938300  | C.C. 400V 100 pF (EU, FTZ, IPT)  |
| △ pF1     | 49594200  | FUSE 125V 8A (OO)                |
|           | 49628100  | FUSE 5A (XX, SS)                 |
|           | 49594300  | FUSE 125V 10A (UL, CSA)          |
|           | 49297500  | FUSE 250V T4A (EU, FTZ, IPT)     |
| △ pF2     | 49628100  | FUSE 5A (XX, SS)                 |
| △ pZ6     | 49912600  | SLIDE SW. (XX, SS)               |
| △ pRL1    | 49523900  | A.C. POWER RELAY VS12MB-NR TV8   |
| △ pZ1     | 49925900  | OUTLET CCT1304-0111 (OO, XX, SS) |
|           | 49926000  | OUTLET CCT1304-0211W (UL, CSA)   |
|           | 49723000  | OUTLET KE31-0090 (EU, FTZ, IPT)  |

## ● F - 7171B POWER KEY SWITCH BOARD

&lt; Stock No. 01409200 &gt; / 電源釦スイッチ基板

| Parts No. | Stock No. | Description                 |
|-----------|-----------|-----------------------------|
| oS92      | 49326300  | PUSH SW. SKHVBE 5H160G TACT |
| sLD1      | 83383300  | L.E.D. (RED) L1344ITTNB57.5 |

## ● F - 7172B BUS - LINE TERMINAL BOARD

&lt; Stock No. 01409300 &gt; / コントロール端子基板

| Parts No. | Stock No. | Description                  |
|-----------|-----------|------------------------------|
| oC40      | 48663800  | C.C. 50V 1000 pF             |
| oS3       | 49958900  | JACK (2/PCS.) JAM1796-02     |
| oS14      | 83376500  | TERMINAL BOARD HSP222V121 2P |

## ● F - 7173B MAIN CIRCUIT BOARD

&lt; Stock No. 01409500 &gt; / 主回路基板

| Parts No.    | Stock No.   | Description      |
|--------------|-------------|------------------|
| ● IC         |             |                  |
| iIC1         | 07208900    | NJM4558D-X OPAMP |
| iC10         | 49417000    | C.C. 50V 0.1μF   |
| ● TRANSISTOR |             |                  |
| jQ8          | 46719800    | DTA124ES         |
| jQ9          | 46719900    | DTC124ES         |
| ● IC         |             |                  |
| jIC8         | 03607700    | NJM4558D OPAMP   |
| jIC9         | 07224800    | TC4066BP         |
|              | or 46421000 | μPD4066BC        |
|              | or 48063800 | BU4066B          |
| jIC10        | 03607700    | NJM4558D OPAMP   |

## ● F - 7173B

| Parts No.    | Stock No.   | Description             |
|--------------|-------------|-------------------------|
| jIC11        | 03607700    | NJM4558D OPAMP          |
| jIC12        | 03607700    | NJM4558D OPAMP          |
| jC60         | 48666100    | C.C. 50V 8200 pF        |
| ● TRANSISTOR |             |                         |
| kQ1          | 46604301    | 2SC3327                 |
| kQ2          | 46604301    | 2SC3327                 |
| kQ3          | 46604301    | 2SC3327                 |
| ● IC         |             |                         |
| △ kIC1       | 49958700    | STK401 - 330            |
| △ kIC2       | 49958600    | STK4044MK2              |
| △ kIC3       | 49923500    | STK401 - 040            |
| ● DIODE      |             |                         |
| kD1          | 46464100    | 1SS133                  |
| △ kR5        | 49852700    | N.I.R. 1/2W 330 Ω       |
| △ kR6        | 49852700    | N.I.R. 1/2W 330 Ω       |
| △ kR7        | 49284100    | Ce.R. 5W 0.22 Ω         |
| △ kR8        | 49850500    | N.I.R. 1/2W 4.7 Ω       |
| △ kR9        | 49863700    | N.I.R. 1W 4.7 Ω         |
| △ kR14       | 49283300    | Ce.R. 3W 0.22 Ω         |
| △ kR15       | 49850500    | N.I.R. 1/2W 4.7 Ω       |
| △ kR16       | 49850500    | N.I.R. 1/2W 4.7 Ω       |
| △ kR17       | 49852100    | N.I.R. 1/2W 100 Ω       |
| △ kR18       | 49852100    | N.I.R. 1/2W 100 Ω       |
| △ kR35       | 49852700    | N.I.R. 1/2W 330 Ω       |
| △ kR36       | 49852700    | N.I.R. 1/2W 330 Ω       |
| △ kR37       | 49284100    | Ce.R. 5W 0.22 Ω         |
| △ kR38       | 49850500    | N.I.R. 1/2W 4.7 Ω       |
| △ kR39       | 49863700    | N.I.R. 1W 4.7 Ω         |
| kC2          | 48663400    | C.C. 50V 470 pF         |
| kC32         | 48663400    | C.C. 50V 470 pF         |
| kC71         | 48663400    | C.C. 50V 470 pF         |
| kC79         | 48663800    | C.C. 50V 1000 pF        |
| △ kL1        | 46851901    | INDUCTOR 0.82 μH (COIL) |
| △ kL2        | 46851901    | INDUCTOR 0.82 μH (COIL) |
| △ kL3        | 49920600    | INDUCTOR 3 μH (COIL)    |
|              | or 83363900 | INDUCTOR 3 μH (COIL)    |
| ● TRANSISTOR |             |                         |
| IQ1          | 46581701    | 2SC1845                 |
| IQ2          | 46581701    | 2SC1845                 |
| IQ3          | 46581701    | 2SC1845                 |
| IQ4          | 46367101    | 2SC2603                 |
| IQ5          | 46367101    | 2SC2603                 |
| IQ6          | 46367101    | 2SC2603                 |
| IQ7          | 46581701    | 2SC1845                 |
| IQ8          | 46581701    | 2SC1845                 |
| IQ10         | 46367001    | 2SA1115                 |
| ● IC         |             |                         |
| iIC1         | 46207600    | TA7317P                 |

**AV-7700****AV-7150****AV-7100****● F - 7173B**

Parts No. Stock No. Description

**● DIODE**

|       |          |                               |
|-------|----------|-------------------------------|
| ID1   |          |                               |
| to 9  | 46464100 | 1SS133                        |
| △ID10 | 48123600 | 11E2                          |
| or    | 83035300 | 11E2                          |
| ID12  | 46464100 | 1SS133                        |
| IC1   | 49417000 | C.C. 50V 0.1 μF               |
| IC2   | 49417000 | C.C. 50V 0.1 μF               |
| IC3   | 49417000 | C.C. 50V 0.1 μF               |
| IC6   | 48101500 | E.B. 6.3V 100 μF              |
| IC9   | 49417000 | C.C. 50V 0.1 μF               |
| IC10  | 49417000 | C.C. 50V 0.1 μF               |
| IC13  | 48101500 | E.B. 6.3V 100 μF              |
| IRL1  | 49962400 | RELAY (SPEAKER) OMI-SS-224LM  |
| IRL2  | 49730300 | RELAY (SPEAKER) OSA-SS-224DM3 |
| IRL3  | 49962400 | RELAY (SPEAKER) OMI-SS-224LM  |
| IRL4  | 49964100 | RELAY ( LEAD ) OVR-SH-224L    |

**● TRANSISTOR**

|      |          |         |
|------|----------|---------|
| mQ2  | 46581601 | 2SA 992 |
| △mQ3 | 48508801 | 2SC3851 |

**● IC**

|       |          |            |
|-------|----------|------------|
| △mIC1 | 49772500 | NJM78M56FA |
| △mIC2 | 49440800 | NJM78M12FA |
| △mIC4 | 49440800 | NJM78M12FA |
| △mIC5 | 49435600 | NJM79M12FA |

**● DIODE**

|      |          |           |
|------|----------|-----------|
| △mD3 | 03117700 | 10E2      |
| △mD5 | 46273600 | DBB10B    |
| △mD6 | 03117000 | RB152-LFF |
| mD7  | 46464100 | 1SS133    |
| △mD8 | 48667600 | FMU-22S   |
| △mD9 | 48667700 | FMU-22R   |

**● ZENER DIODE**

|      |          |          |
|------|----------|----------|
| mDZ2 | 49516900 | MTZJ30C  |
| mDZ3 | 49676700 | MTZJ6.2A |
| or   | 49676800 | MTZJ6.2B |
| mDZ4 | 49516100 | MTZJ24C  |
| mDZ5 | 49677900 | MTZJ9.1A |
| or   | 49678000 | MTZJ9.1B |
| mDZ6 | 49677900 | MTZJ9.1A |
| or   | 49678000 | MTZJ9.1B |

|       |          |                   |
|-------|----------|-------------------|
| △mR6  | 49852100 | N.I.R. 1/2W 100 Ω |
| △mR7  | 49852100 | N.I.R. 1/2W 100 Ω |
| △mR8  | 49851300 | N.I.R. 1/2W 22 Ω  |
| △mR11 | 49850500 | N.I.R. 1/2W 4.7 Ω |
| △mR13 | 49853000 | N.I.R. 1/2W 560 Ω |

**● F - 7173B**

Parts No. Stock No. Description

|       |          |                   |
|-------|----------|-------------------|
| △mR14 | 49853000 | N.I.R. 1/2W 560 Ω |
| △mR21 | 49851700 | N.I.R. 1/2W 47 Ω  |
| △mC7  | 0380500  | C.C. 500V 0.01 μF |
| △mC8  | 0380500  | C.C. 500V 0.01 μF |
| △mC11 | 0380500  | C.C. 500V 0.01 μF |
| mC14  | 49961000 | E.C. 42WV 3300 μF |
| mC15  | 49961000 | E.C. 42WV 3300 μF |
| △mC16 | 48845500 | E.C. 71WV 8200 μF |
| △mC17 | 48845500 | E.C. 71WV 8200 μF |
| mC29  |          |                   |
| to 39 | 48748400 | C.C. 50V 0.1 μF   |

**● TRANSISTOR**

|     |          |          |
|-----|----------|----------|
| oQ1 | 48223100 | DTC114TS |
| oQ2 | 48223100 | DTC114TS |
| oQ3 | 48229600 | DTA114ES |

**● IC**

|      |          |                               |
|------|----------|-------------------------------|
| oIC1 | 49475700 | TC9164N                       |
| oIC2 | 49312200 | TC9163N                       |
| oIC3 | 48223300 | TC4028BP                      |
| oIC4 | 03607700 | NJM4558D OPAMP                |
| oS6  | 83376900 | TERMINAL BOARD HSP224V81 4P   |
| oS7  | 83376500 | TERMINAL BOARD HSP222V121 2P  |
| oS8  | 83377600 | TERMINAL BOARD HSP226V901 6P  |
| oS9  | 83377300 | TERMINAL BOARD HSP226V81 6P   |
| oS13 | 83382000 | TERMINAL BOARD HSP232V1Y 2P   |
| oS11 | 83376100 | SP. - TERMINAL 8P HSP-308V-11 |
| qZ73 | 49666700 | FLAT CABLE L125-22P FFC 2896  |

**● F - 7174B CENTER SPEAKER TERMINAL BOARD / センター・スピーカー端子基板**

&lt;Stock No. 01409600 &gt;

Parts No. Stock No. Description

|      |          |                               |
|------|----------|-------------------------------|
| oS10 | 83375900 | SP. - TERMINAL 2P HSP-302V-04 |
|------|----------|-------------------------------|

**● F - 7175B HEADPHONE JACK TERMINAL BOARD / ヘッド・ホン・ジャック端子基板**

&lt; Stock No. 01409700 &gt;

Parts No. Stock No. Description

|       |          |                   |
|-------|----------|-------------------|
| △kR41 | 49852500 | N.I.R. 1/2W 220 Ω |
| oS2   | 83375700 | JACK HTJ-064-07NG |

● **F - 7176B OUTPUT POWER SELECTOR BOARD / スピーカー出力調節基板**

< Stock No. 01409800 , 5 >

| Parts No.   | Stock No. | Description                        |
|-------------|-----------|------------------------------------|
| ●TRANSISTOR |           |                                    |
| IQ9         | 46719900  | DTC124ES                           |
| IQ11        | 48229400  | DTA114TS                           |
| ●DIODE      |           |                                    |
| ID11        | 46464100  | 1SS133                             |
| △IRL5       | 49958500  | RELAY OMI-SS-224L                  |
| △pF8        | 49593900  | FUSE 125V 4A (00, XX, UL, CSA, SS) |
|             | 49297500  | FUSE 250V T4A (EU, FTZ, IPT)       |

● **F - 7177B SECONDARY FUSE BOARD**

< Stock No. 01409900 > / 二次ヒューズ基板

| Parts No. | Stock No. | Description                        |
|-----------|-----------|------------------------------------|
| △pF5      | 49593300  | FUSE 125V 1A (00, XX, UL, CSA, SS) |
| △pF6      | 49593300  | FUSE 125V 1A (00, XX, UL, CSA, SS) |

● **F - 7178B VIDEO SELECTOR BOARD**

< Stock No. 01410000 > / ビデオ切り替え基板

| Parts No.   | Stock No.   | Description                 |
|-------------|-------------|-----------------------------|
| oC38        | 48663800    | C.C. 50V 1000 pF            |
| oC39        | 48663800    | C.C. 50V 1000 pF            |
| oS4         | 83382000    | TERMINAL BOARD HSP232V1Y 2P |
| oS5         | 83382000    | TERMINAL BOARD HSP232V1Y 2P |
| ●TRANSISTOR |             |                             |
| rQ1         | 46367101    | 2SC2603                     |
| rQ2         | 46367101    | 2SC2603                     |
| rQ3         | 46834300    | DTC144ES                    |
|             | or 49388300 | RN1204                      |
| rQ4         | 46367101    | 2SC2603                     |
| rQ5         | 46367101    | 2SC2603                     |
| rQ6         | 46367101    | 2SC2603                     |
| rQ7         | 46834300    | DTC144ES                    |
|             | or 49388300 | RN1204                      |
| ●IC         |             |                             |
| rIC1        | 49475500    | NJM2245D VIDEO SWITCH       |
| △rR15       | 49851500    | N.I.R. 1/2W 33 Ω            |
| rC1         | 48662600    | C.C. 50V 100 pF             |
| rC2         | 48662600    | C.C. 50V 100 pF             |
| rC8         | 48662600    | C.C. 50V 100 pF             |

● **F - 7211B DE - BUG CIRCUIT SELECTOR BOARD (EU, IPT, FTZ only)**

| Parts No.   | Stock No. | Description                   |
|-------------|-----------|-------------------------------|
| ●TRANSISTOR |           |                               |
| sQ50        | 46719900  | DTC124ES                      |
| sQ51        | 46719800  | DTA124ES                      |
| sQ52        | 46834300  | DTC144ES                      |
| sQ53        | 46367101  | 2SC2603                       |
| sQ54        | 46367101  | 2SA1115                       |
| ●IC         |           |                               |
| sIC50       | 49741000  | TC74HC123AP                   |
| ●DIODE      |           |                               |
| sD50        |           |                               |
|             | to 53     | 46464100 1SS133               |
| sLD50       | 83383300  | L.E.D. ( RED ) L1344ITTNB57.5 |
| sC51        | 48663800  | C.C. 50V 1000 pF              |
| sC54        | 49417000  | C.C. 50V 0.1 μF               |
| sS50        | 49367900  | PUSH SWITCH SPEC 2 CIRCUIT    |

**FIXED PARTS**

| Parts No. | Stock No.   | Description                      |
|-----------|-------------|----------------------------------|
| △mPT2     | 15045900    | POWER TRANSFORMER A3950 00       |
|           | 15045801    | POWER TRANSFORMER R2910 XX       |
|           | 15045902    | POWER TRANSFORMER R2910 CL       |
|           | 15045905    | POWER TRANSFORMER R2910 EU       |
| oS12      | 22301510    | GRAND TERMINAL KD41 - 0042       |
| △pZ2      | 49511510    | POWER SUPPLY CORD ( 00 )         |
|           | 46321000    | POWER SUPPLY CORD ( XX )         |
|           | 48187800    | POWER SUPPLY CORD ( UL,CSA )     |
|           | or 83384600 | POWER SUPPLY CORD ( UL,CSA )     |
|           | 48837700    | POWER SUPPLY CORD ( SS )         |
|           | or 83384200 | POWER SUPPLY CORD ( SS )         |
|           | 49299300    | POWER SUPPLY CORD ( EU,IPT,FTZ ) |
|           | or 83384300 | POWER SUPPLY CORD ( EU,IPT,FTZ ) |
| △pZ5      | 49374300    | STRAIN RELIEF CORD BUSH 2φ       |

\*NOTE  
 Last figure of stock number in "< >" means the destination for market.  
 If you are not found out the number, will be shown in stock number smaller than it.  
 0: JAPAN, 1: EXPORT, 2: U. S. A., 3: CANADA,  
 4: MID. EAST, 5: EUROPE, 7: ITALY,  
 8: GERMANY (C E STANDARD)



**\* \* ( For receiver only!! \* For the other markets than Japanese!! ) \* \***

**● F - 7166A AUDIO CONTROL BOARD**

< Stock No. 01407101 >

Parts No. Stock No. Description

**●TRANSISTOR**

jQ1 46719900 DTC124ES  
jQ2 46719800 DTA124ES  
jQ3 46719900 DTC124ES  
jQ4 46719800 DTA124ES

**●IC**

jIC1 07224800 TC4066BP  
or 46421000  $\mu$ PD4066BC  
or 48063800 BU4066B  
jIC2 48982600 LB1641  
jIC3 49558900 TC9184P  
jIC4 49439500 NJM4558L OPAMP  
jIC5 07224800 TC4066BP  
or 46421000  $\mu$ PD4066BC  
or 48063800 BU4066B  
jIC6 03607700 NJM4558D OPAMP  
jIC7 49439500 NJM4558L OPAMP

**●ZENER DIODE**

jDZ1 49677900 MTZJ9.1A  
or 49678000 MTZJ9.1B  
jDZ2 49677900 MTZJ9.1A  
or 49678000 MTZJ9.1B  
jDZ3 49675800 MTZJ4.7A  
or 49675900 MTZJ4.7B  
 $\Delta$ jR1 49852100 N.I.R. 1/2W 100  $\Omega$   
 $\Delta$ jR2 49852100 N.I.R. 1/2W 100  $\Omega$   
jC3 48666200 C.C. 16V 0.01  $\mu$ F  
jC4 48666200 C.C. 16V 0.01  $\mu$ F  
jC5 48666200 C.C. 16V 0.01  $\mu$ F  
jC6 48666200 C.C. 16V 0.01  $\mu$ F  
jC7 48663600 C.C. 50V 680 pF  
jC10 48659600 C.C. 50V 27 pF  
jC13 48659600 C.C. 50V 27 pF  
jC15 48665500 C.C. 50V 2700 pF  
jC17 48426900 C.C. 25V 22000 pF  
jC19 48659800 C.C. 50V 33 pF  
jC23 49417000 C.C. 50V 0.1  $\mu$ F  
jC24 49417000 C.C. 50V 0.1  $\mu$ F  
jC27 49417000 C.C. 50V 0.1  $\mu$ F  
jC29 48666200 C.C. 16V 0.01  $\mu$ F  
jC30 49417000 C.C. 50V 0.1  $\mu$ F  
jC34 48662700 C.C. 50V 120 pF  
jVR2 49957600 V.R. 100 k $\Omega$  (B) X 4 WITH L.E.D.  
 $\Delta$ pF7 49593900 FUSE 125V 4A  
 $\Delta$ pF8 49593900 FUSE 125V 4A

**● F - 7167A D.S.P. - SURROUND & VOICE CANCEL BOARD**

< Stock No. 01407201 >

Parts No. Stock No. Description

**●TRANSISTOR**

xQ1 46359801 2SC2001

**●IC**

xIC1 49439500 NJM4558L OPAMP  
xIC2 49471900 TC9162N  
xIC3 49915800 LA2780N  
xIC4 49471900 TC9162N  
xIC5 49439500 NJM4558L OPAMP  
xIC6 49915900 LV1001MA  
xIC7 49916000 LM33256G-12  
or 49916200 LH21256-12  
or 49963700 LC32256P-80  
xIC11 49439500 NJM4558L OPAMP  
xIC13 49440100 TC9213P  
xIC14 49439500 NJM4558L OPAMP  
xIC15 49439500 NJM4558L OPAMP  
xXO1 49774600 QUARTZ ELEMENT HC-49/S 8MHz

**●ZENER DIODE**

xDZ1 49676400 MTZJ5.6A  
or 49676500 MTZJ5.6B  
xC3 48662600 C.C. 50V 100 pF  
xC4 49417000 C.C. 50V 0.1  $\mu$ F  
xC15 48748400 C.C. 50V 0.1  $\mu$ F  
xC16 48748400 C.C. 50V 0.1  $\mu$ F  
xC17 48663600 C.C. 50V 680 pF  
xC31 48663600 C.C. 50V 680 pF  
xC32 48748400 C.C. 50V 0.1  $\mu$ F  
xC33 48748400 C.C. 50V 0.1  $\mu$ F  
xC34 48748400 C.C. 50V 0.1  $\mu$ F  
xC35 48663600 C.C. 50V 680 pF  
xC37 48659800 C.C. 50V 33 pF  
xC44 48659800 C.C. 50V 33 pF  
xC69 48660000 C.C. 50V 39 pF  
xC75 48665500 C.C. 50V 2700 pF  
xC84 49929300 F.C. 100V 150pF APS ( P. P. )  
xC85 48426900 C.C. 25V 22000 pF  
xC91 48102500 E.B. 25V 10  $\mu$ F  
xC94 48659800 C.C. 50V 33 pF  
xC97 48426900 C.C. 25V 22000 pF  
xC101 49929300 F.C. 100V 150pF APS ( P. P. )  
xC103 49417000 C.C. 50V 0.1  $\mu$ F  
xC104 48666200 C.C. 16V 0.01  $\mu$ F  
xC105 48659800 C.C. 50V 33 pF  
xC107 48659800 C.C. 50V 33 pF  
xC110 49417000 C.C. 50V 0.1  $\mu$ F



**RZ-8100AV****RZ-8150AV****● F - 7167A**

Parts No. Stock No. Description

|       |          |                  |
|-------|----------|------------------|
| xC111 | 48659600 | C.C. 50V 27 pF   |
| xC112 | 48659600 | C.C. 50V 27 pF   |
| xC115 | 48665700 | C.C. 50V 3900 pF |
| xC117 | 48665800 | C.C. 50V 4700 pF |
| xC118 | 48102500 | E.B. 25V 10 μF   |
| xC120 | 48102500 | E.B. 25V 10 μF   |
| xC131 | 48103400 | E.B. 50V 1 μF    |
| xC142 | 48102500 | E.B. 25V 10 μF   |
| xC143 | 48660000 | C.C. 50V 39 pF   |
| xC148 | 48659000 | C.C. 50V 15 pF   |
| xC149 | 48102500 | E.B. 25V 10 μF   |
| xC150 | 48658200 | C.C. 50V 4.7 pF  |
| xC151 | 48658200 | C.C. 50V 4.7 pF  |
| xC152 | 48659800 | C.C. 50V 33 pF   |
| xC153 | 49417000 | C.C. 50V 0.1μF   |
| xC154 | 49417000 | C.C. 50V 0.1μF   |

**● F - 7168A MICROPHONE AMPLIFIER BOARD**

&lt; Stock No. 01407301 &gt;

Parts No. Stock No. Description

**●IC**

|      |          |                       |
|------|----------|-----------------------|
| gIC1 | 49472700 | NJM4558L-D OPAMP      |
| gC1  | 48662800 | C.C. 50V 150 pF       |
| gVR1 | 49957400 | V.R. 5 kΩ (B)         |
| jVR1 | 49957500 | V.R. 250 kΩ (W)       |
| oS1  | 83375600 | JACK HTJ - 064 - 03PG |

**● F - 7169A SYSTEM CONTROL & DISPLAY BOARD**

&lt; Stock No. 01407401 &gt;

Parts No. Stock No. Description

|        |          |                                     |
|--------|----------|-------------------------------------|
| oS61   |          |                                     |
| to 104 | 49326300 | PUSH SW. SKHVBE 5H160G TACT         |
| sIC2   | 49550900 | REMOTE CONTIROL RECEIVER SBX1610-52 |

**●TRANSISTOR**

|          |          |          |
|----------|----------|----------|
| sQ1, 2   | 48223100 | DTC114TS |
| sQ3 to 5 | 46834300 | DTC144ES |
| sQ8      |          |          |
| to 11    | 46719900 | DTC124ES |
| sQ12     | 48217800 | DTC114ES |
| sQ13     | 46719800 | DTA124ES |

**●IC**

|      |          |                             |
|------|----------|-----------------------------|
| sIC1 | 49922000 | M. P. U. TMP47C1270AN-H221  |
| sXO1 | 49745500 | QUARTZ ELEMENT HC-49/S 6MHz |

**● F - 7169A**

Parts No. Stock No. Description

**●DIODE**

|        |          |                                   |
|--------|----------|-----------------------------------|
| sD1    |          |                                   |
| to 11  | 46464100 | 1SS133                            |
| sD12   | 03117600 | 1S2473T77                         |
| sD13   | 03117600 | 1S2473T77                         |
| sD14   |          |                                   |
| to 20  | 46464100 | 1SS133                            |
| sFL1   | 49920100 | F.L. DISPLAY TUBE R CH1226C       |
| sR15   | 48765400 | A.R. 4 - 2.2 kΩ                   |
| sR16   | 48773600 | A.R. 8 - 10 kΩ                    |
| sR17   | 48777300 | A.R. 10 - 10 kΩ                   |
| sC2    | 49417000 | C.C. 50V 0.1 μF                   |
| sC4, 5 | 49417000 | C.C. 50V 0.1 μF                   |
| sC11   | 49417000 | C.C. 50V 0.1 μF                   |
| sC13   | 48797300 | E.L. 5.5V 3300 μF ( for Back Up ) |

**● F - 7170A A.C. POWER CONTROL & LINE BOARD**

&lt; Stock No. 01407501 &gt;

Parts No. Stock No. Description

**●TRANSISTOR**

|      |          |         |
|------|----------|---------|
| ΔmQ1 | 48508801 | 2SC3851 |
|------|----------|---------|

**●DIODE**

|      |          |        |
|------|----------|--------|
| ΔmD1 | 46273600 | DBB10B |
| mD2  | 46464100 | 1SS133 |

**●ZENER DIODE**

|       |          |                              |
|-------|----------|------------------------------|
| mDZ1  | 49678900 | MTZJ12A                      |
| or    | 49679000 | MTZJ12B                      |
| ΔmR3  | 49863700 | N.I.R. 1W 4.7 Ω              |
| ΔmPT1 | 83335901 | POWER TRANSFORMER R3950XX- B |
|       | 83335902 | POWER TRANSFORMER R3950CL- B |
|       | 83335905 | POWER TRANSFORMER R3950EJ- B |

**●TRANSISTOR**

|     |          |         |
|-----|----------|---------|
| pQ1 | 46367101 | 2SC2603 |
|-----|----------|---------|

**●DIODE**

|       |          |                                  |
|-------|----------|----------------------------------|
| ΔpD1  | 48123600 | 11E2                             |
| ΔpC1  | 46425800 | C.C. 250V 0.01 μF                |
| ΔpF1  | 49628100 | FUSE 5A ( XX, \$S )              |
|       | 49594300 | FUSE 125V 10A ( UL, CSA )        |
|       | 49297500 | FUSE 250V T4A ( EU, FTZ, PT )    |
| ΔpF2  | 49628100 | FUSE 5A ( XX, \$S )              |
| pZ6   | 49912600 | SLIDE SW. ( XX, \$S )            |
| ΔpRL1 | 49523900 | A.C. POWER RELAY VS12MB-NR TV8   |
| ΔpZ1  | 49925900 | OUTLET CCT1304-0111 ( XX, \$S )  |
|       | 49926000 | OUTLET CCT1304-0211W ( UL, CSA ) |
|       | 49723000 | OUTLET KE31-0090 ( EU, FTZ, PT ) |

**● F – 7171A POWER KEY SWITCH BOARD**

&lt; Stock No. 01407601 &gt;

| Parts No. | Stock No. | Description                   |
|-----------|-----------|-------------------------------|
| oS92      | 49326300  | PUSH SW. SKHVBE 5H160G TACT   |
| sLD1      | 83383300  | L.E.D. ( RED ) L1344ITTNB57.5 |

**● F – 7172A BUS – LINE TERMINAL BOARD**

&lt; Stock NO. 01407701 &gt;

| Parts No. | Stock No. | Description               |
|-----------|-----------|---------------------------|
| oS3       | 49958900  | JACK ( 2/PCS.) JAM1796-02 |

**● F – 7173A MAIN CIRCUIT BOARD**

&lt; Stock No. 01407901 &gt;

| Parts No. | Stock No. | Description |
|-----------|-----------|-------------|
|-----------|-----------|-------------|

**●IC**

|      |          |                  |
|------|----------|------------------|
| iIC1 | 07208900 | NJM4558D-X OPAMP |
| iC10 | 49417000 | C.C. 50V 0.1 μF  |

**●TRANSISTOR**

|     |          |          |
|-----|----------|----------|
| jQ8 | 46719800 | DTA124ES |
| jQ9 | 46719900 | DTC124ES |

**●IC**

|      |             |                |
|------|-------------|----------------|
| jIC8 | 03607700    | NJM4558D OPAMP |
| jIC9 | 07224800    | TC4066BP       |
|      | or 46421000 | μPD4066BC      |
|      | or 48063800 | BU4066B        |

|       |          |                  |
|-------|----------|------------------|
| jIC10 | 03607700 | NJM4558D OPAMP   |
| jIC11 | 03607700 | NJM4558D OPAMP   |
| jIC12 | 03607700 | NJM4558D OPAMP   |
| jC60  | 48666100 | C.C. 50V 8200 pF |

**●TRANSISTOR**

|     |          |         |
|-----|----------|---------|
| kQ1 | 46604301 | 2SC3327 |
| kQ2 | 46604301 | 2SC3327 |
| kQ3 | 46604301 | 2SC3327 |

**●IC**

|       |          |              |
|-------|----------|--------------|
| ΔkIC1 | 49958700 | STK401 – 330 |
| ΔkIC2 | 49958600 | STK4044MK2   |
| ΔkIC3 | 49923500 | STK401 – 040 |

**●DIODE**

|      |          |                   |
|------|----------|-------------------|
| kD1  | 46464100 | 1SS133            |
| ΔkR5 | 49852700 | N.I.R. 1/2W 330 Ω |
| ΔkR6 | 49852700 | N.I.R. 1/2W 330 Ω |
| ΔkR7 | 49284100 | Ce.R. 5W 0.22 Ω   |
| ΔkR8 | 49850500 | N.I.R. 1/2W 4.7 Ω |
| ΔkR9 | 49863700 | N.I.R. 1W 4.7 Ω   |

**● F – 7173A**

Parts No. Stock No. Description

|       |             |                           |
|-------|-------------|---------------------------|
| ΔkR14 | 49283300    | Ce.R. 3W 0.22 Ω           |
| ΔkR15 | 49850500    | N.I.R. 1/2W 4.7 Ω         |
| ΔkR16 | 49850500    | N.I.R. 1/2W 4.7 Ω         |
| ΔkR17 | 49852100    | N.I.R. 1/2W 100 Ω         |
| ΔkR18 | 49852100    | N.I.R. 1/2W 100 Ω         |
| ΔkR35 | 49852700    | N.I.R. 1/2W 330 Ω         |
| ΔkR36 | 49852700    | N.I.R. 1/2W 330 Ω         |
| ΔkR37 | 49284100    | Ce.R. 5W 0.22 Ω           |
| ΔkR38 | 49850500    | N.I.R. 1/2W 4.7 Ω         |
| ΔkR39 | 49863700    | N.I.R. 1W 4.7 Ω           |
| kC2   | 48663400    | C.C. 50V 470 pF           |
| kC32  | 48663400    | C.C. 50V 470 pF           |
| kC71  | 48663400    | C.C. 50V 470 pF           |
| kC79  | 48663800    | C.C. 50V 1000 pF          |
| kL1   | 46851901    | INDUCTOR 0.82 μH ( COIL ) |
| kL2   | 46851901    | INDUCTOR 0.82 μH ( COIL ) |
| kL3   | 49920600    | INDUCTOR 3 μH ( COIL )    |
|       | or 83363900 | INDUCTOR 3 μH ( COIL )    |

**●TRANSISTOR**

|          |          |         |
|----------|----------|---------|
| IQ1 to 3 | 46581701 | 2SC1845 |
| IQ4 to 6 | 46367101 | 2SC2603 |
| IQ7      | 46581701 | 2SC1845 |
| IQ8      | 46581701 | 2SC1845 |
| IQ10     | 46367001 | 2SA1115 |

**●IC**

|      |          |         |
|------|----------|---------|
| iIC1 | 46207600 | TA7317P |
|------|----------|---------|

**●DIODE**

|          |             |                               |
|----------|-------------|-------------------------------|
| ID1 to 9 | 46464100    | 1SS133                        |
| ΔID10    | 48123600    | 11E2                          |
|          | or 83035300 | 11E2                          |
| ID12     | 46464100    | 1SS133                        |
| IC1 to 3 | 49417000    | C.C. 50V 0.1 μF               |
| IC6      | 48101500    | E.B. 6.3V 100 μF              |
| IC9      | 49417000    | C.C. 50V 0.1 μF               |
| IC10     | 49417000    | C.C. 50V 0.1 μF               |
| IC13     | 48101500    | E.B. 6.3V 100 μF              |
| IRL1     | 49962400    | RELAY (SPEAKER) OMI-SS-224LM  |
| IRL2     | 49730300    | RELAY (SPEAKER) OSA-SS-224DM3 |
| IRL3     | 49962400    | RELAY (SPEAKER) OMI-SS-224LM  |
| IRL4     | 49964100    | RELAY ( LEAD ) OVR-SH-224L    |

**●TRANSISTOR**

|      |          |         |
|------|----------|---------|
| mQ2  | 46581601 | 2SA 992 |
| ΔmQ3 | 48508801 | 2SC3851 |

**●IC**

|          |          |            |
|----------|----------|------------|
| ΔmIC1    | 49772500 | NJM78M56FA |
| ΔmIC2, 4 | 49440800 | NJM78M12FA |
| ΔmIC3    | 49440700 | NJM78M09FA |
| ΔmIC5    | 49435600 | NJM79M12FA |

**RZ-8100AV****RZ-8150AV****● F - 7173A**

Parts No. Stock No. Description

**●DIODE**

△mD3 03117700 10E2  
 △mD5 46273600 DBB10B  
 △mD6 03117000 RB152-LFF  
 mD7 46464100 1SS133  
 △mD8 48667600 FMU-22S  
 △mD9 48667700 FMU-22R

**●ZENER DIODE**

mDZ2 49516900 MTZJ30C  
 mDZ3 49676700 MTZJ6.2A  
 or 49676800 MTZJ6.2B  
 mDZ4 49516100 MTZJ24C  
 mDZ5 49677900 MTZJ9.1A  
 or 49678000 MTZJ9.1B  
 mDZ6 49677900 MTZJ9.1A  
 or 49678000 MTZJ9.1B

△mR6 49852100 N.I.R. 1/2W 100 Ω  
 △mR7 49852100 N.I.R. 1/2W 100 Ω  
 △mR8 49851300 N.I.R. 1/2W 22 Ω  
 △mR11 49850500 N.I.R. 1/2W 4.7 Ω  
 △mR13 49853000 N.I.R. 1/2W 560 Ω  
 △mR14 49853000 N.I.R. 1/2W 560 Ω  
 △mR21 49851700 N.I.R. 1/2W 47 Ω  
 △mC7 00380500 C.C. 500V 0.01 μF  
 △mC8 00380500 C.C. 500V 0.01 μF  
 △mC11 00380500 C.C. 500V 0.01 μF  
 mC14 49961000 E.C. 42WV 3300 μF  
 mC15 49961000 E.C. 42WV 3300 μF  
 △mC16 48845500 E.C. 71WV 8200 μF  
 △mC17 48845500 E.C. 71WV 8200 μF  
 mC29  
 to 39 48748400 C.C. 50V 0.1 μF

**●TRANSISTOR**

oQ1 48223100 DTC114TS  
 oQ2 48223100 DTC114TS  
 oQ3 48229600 DTA114ES

**●IC**

oIC1 49475700 TC9164N  
 oIC2 49312200 TC9163N  
 oIC3 48223300 TC4028BP  
 oIC4 03607700 NJM4558D OPAMP  
 oS6 83376900 TERMINAL BOARD HSP224V81 4P  
 oS7 83376500 TERMINAL BOARD HSP222V121 2P  
 oS8 83377600 TERMINAL BOARD HSP226V901 6P  
 oS9 83377300 TERMINAL BOARD HSP226V81 6P  
 oS11 83376100 SP. - TERMINAL 8P HSP-308V-11  
 qZ73 49666700 FLAT CABLE L125-22P FFC 2896

**● F - 7174B CENTER SPEAKER TERMINAL BOARD**

&lt; Stock No. 01408001 &gt;

Parts No. Stock No. Description

oS10 83375900 SP. - TERMINAL 2P HSP-302V-04

**● F - 7175B HEADPHONE JACK TERMINAL BOARD**

&lt; Stock No. 01408101 &gt;

Parts No. Stock No. Description

△kR41 49852500 N.I.R. 1/2W 220 Ω  
 oS2 83375700 JACK HTJ-064-07NG

**● F - 7176B OUTPUT POWER SELECTOR BOARD**

&lt; Stock No. 01408201 &gt;

Parts No. Stock No. Description

**●TRANSISTOR**

IQ9 46719900 DTC124ES  
 IQ11 48229400 DTA114TS

**●DIODE**

ID11 46464100 1SS133  
 △IRL5 49958500 RELAY OMI-SS-224L  
 xVR1 48079600 S.V.R. 47 kΩ (B)

**● F - 7177A SECONDARY FUSE BOARD**

&lt; Stock No. 01408301 &gt;

Parts No. Stock No. Description

△pF5 49593300 FUSE 125V 1A (00, XX, UL, CSA, SS)  
 or 49296900 FUSE 250V T1A (EU, IPT, FTZ)  
 △pF6 49593300 FUSE 125V 1A (00, XX, UL, CSA, SS)  
 or 49296900 FUSE 250V T1A (EU, IPT, FTZ)

**● F - 7178B VIDEO SELECTOR BOARD**

&lt; Stock No. 01408401 &gt;

Parts No. Stock No. Description

oC38 48663800 C.C. 50V 1000 pF  
 oC39 48663800 C.C. 50V 1000 pF  
 oS4 83382000 TERMINAL BOARD HSP232V1Y 2P  
 oS5 83382000 TERMINAL BOARD

**●TRANSISTOR**

rQ1, 2 46367101 2SC2603

**● F - 7178A**

| Parts No. | Stock No. | Description |
|-----------|-----------|-------------|
|-----------|-----------|-------------|

|     |             |          |
|-----|-------------|----------|
| rQ3 | 46834300    | DTC144ES |
|     | or 49388300 | RN1204   |
| rQ4 | 46367101    | 2SC2603  |

**●IC**

|       |          |                       |
|-------|----------|-----------------------|
| rIC1  | 49475500 | NJM2245D VIDEO SWITCH |
| △rR15 | 49851500 | N.I.R. 1/2W 33 Ω      |
| rC1   | 48662600 | C.C. 50V 100 pF       |
| rC2   | 48662600 | C.C. 50V 100 pF       |

**● F - 7179A TUNNING CIRCUIT BOARD**

&lt; Stock No. 01408501 &gt;

| Parts No. | Stock No. | Description |
|-----------|-----------|-------------|
|-----------|-----------|-------------|

|     |          |                        |
|-----|----------|------------------------|
| dZ1 | 49954000 | FRONT END UNIT TFFJ2U1 |
|-----|----------|------------------------|

**●TRANSISTOR**

|          |             |          |
|----------|-------------|----------|
| dQ1      | 48171600    | DTC114YS |
|          | or 49388600 | RN1207   |
| dQ2      | 46393201    | 2SC2786  |
| dQ3 to 7 | 48171600    | DTC114YS |
|          | or 49388600 | RN1207   |
| dQ8      | 46367301    | 2SC2458  |
|          | or 48058801 | 2SC1740S |

**●IC**

|      |          |                              |
|------|----------|------------------------------|
| dIC1 | 49948100 | LA1832                       |
| dXO1 | 49591000 | QUARTZ ELEMENT CSB456F15 MPX |

**●DIODE**

|          |          |  |
|----------|----------|--|
| dD1 to 8 | 46464100 | 1SS133                                   |
| dC1      | 48426900 | C.C. 25V 22000 pF                        |
| dC6      | 48665800 | C.C. 50V 4700 pF                         |
| dC7      | 48426900 | C.C. 25V 22000 pF                        |
| dC8      | 48663700 | C.C. 50V 820 pF (XX, UL, CSA, SS)        |
|          | 48663800 | C.C. 50V 1000 pF (EU, IPT, FTZ)          |
| dC11     | 48663500 | C.C. 50V 560 pF (XX, SS)                 |
| dC12     | 49417000 | C.C. 50V 0.1 μF                          |
| dC13     | 48663800 | C.C. 50V 1000 pF                         |
| dC14     | 48659400 | C.C. 50V 22 pF                           |
| dC18     | 49428900 | C.C. 16V 12000 pF (XX, SS, EU, IPT, FTZ) |
|          | 49429100 | C.C. 16V 18000 pF (UL, CSA)              |
| dCF1, 2  | 46202500 | CERAMIC FILTER (XX, UL, CSA, SS)         |
|          |          | SFE10.7MS2H-A (R)                        |
|          | 48064800 | CERAMIC FILTER (EU, IPT, FTZ)            |
|          |          | SFE10.7MS3GH-A (R)                       |
| dCF3     | 49947800 | CERAMIC FILTER CDA10.7MG46-A             |
| dLP1     | 49914800 | LOW PASS FILTER (19 / 38kHz)             |
| dVR1     | 46634900 | S.V.R. 100 kΩ (B)                        |
| dZ3      | 48719000 | ANTENNA TERMINAL T5945-A 1PL             |

**● F - 7178A**

| Parts No. | Stock No. | Description |
|-----------|-----------|-------------|
|-----------|-----------|-------------|

|     |          |  |
|-----|----------|--|
| dZ2 | 83377800 | ANTENNA TERMINAL 2P                      |
|     |          | HSP-302V-02 (XX, UL, CSA, SS)            |
|     | 83376400 | ANTENNA TERMINAL 2 - 2P                  |
|     |          | HSP-312V-02 (EU, IPT, FTZ)               |
| eC1 | 49416900 | C.C. 50V 0.047 μF                        |
| eC2 | 48663800 | C.C. 50V 1000 pF                         |
| eC4 | 49417000 | C.C. 50V 0.1 μF                          |
| eT1 | 49952700 | A.M. R.F. COIL AT - 0923                 |
| eT2 | 49591100 | CERAMIC FILTER CF-0812 (XX, UL, CSA, SS) |
|     | 49591200 | CERAMIC FILTER CF-0816 (EU, IPT, FTZ)    |

**●TRANSISTOR**

|        |             |          |
|--------|-------------|----------|
| fQ1, 2 | 46367301    | 2SC2458  |
|        | or 48058801 | 2SC1740S |
| fQ3, 4 | 48183400    | DTA114YS |
|        | or 49390800 | RN2207   |
| fQ5, 6 | 46834300    | DTC144ES |
|        | or 49388300 | RN1204   |

**●IC**

|         |          |                                   |
|---------|----------|-----------------------------------|
| fIC1    | 49317500 | LC7218                            |
| fXO1    | 49773500 | QUARTZ ELEMENT HC - 49 / U 7.2MHz |
| fC1, 6  | 48426900 | C.C. 25V 22000 pF                 |
| fC2, 8  | 48663800 | C.C. 50V 1000 pF                  |
| fC3     | 48103600 | E.B. 50V 3.3 μF                   |
| fC5     | 48102500 | E.B. 25V 10 μF                    |
| fC7     | 48658600 | C.C. 50V 10 pF                    |
| fC9, 10 | 48659600 | C.C. 50V 27 pF                    |
| oS110   | 49599400 | SLIDE SW. SSSU14 (XX, SS)         |

**● F - 7211B DE - BUG CIRCUIT SELECTOR**< Stock No. 01410000 > **BOARD** (EU, IPT, FTZ only)

| Parts No. | Stock No. | Description |
|-----------|-----------|-------------|
|-----------|-----------|-------------|

**●TRANSISTOR**

|      |          |          |
|------|----------|----------|
| sQ50 | 46719900 | DTC124ES |
| sQ51 | 46719800 | DTA124ES |
| sQ52 | 46834300 | DTC144ES |
| sQ53 | 46367101 | 2SC2603  |
| sQ54 | 46367101 | 2SA1115  |

**●IC**

|       |          |             |
|-------|----------|-------------|
| sIC50 | 49741000 | TC74HC123AP |
|-------|----------|-------------|

**●DIODE**

|       |          |                             |
|-------|----------|-----------------------------|
| sD50  |          |                             |
|       | to 53    | 46464100 1SS133             |
| sLD50 | 83383300 | L.E.D. (RED) L1344ITTNB57.5 |
| sC51  | 48663800 | C.C. 50V 1000 pF            |
| sC54  | 49417000 | C.C. 50V 0.1 μF             |
| sS50  | 49367900 | PUSH SWITCH SPEC 2 CIRCUIT  |

**RZ-8100AV****RZ-8150AV****AV-7100****AV-7150****AV-7700****FIXED PARTS**

| Parts No. | Stock No.   | Description                      |
|-----------|-------------|----------------------------------|
| △mPT2     | 15045801    | POWER TRANSFORMER R2910 XX       |
|           | 15045902    | POWER TRANSFORMER R2910 CL       |
|           | 15045905    | POWER TRANSFORMER R2910 EU       |
| △oS12     | 22301510    | GRAND TERMINAL KD41 - 0042       |
| △pZ2      | 46321000    | POWER SUPPLY CORD ( XX )         |
|           | 48187800    | POWER SUPPLY CORD ( UL,CSA )     |
|           | or 83384600 | POWER SUPPLY CORD ( UL,CSA )     |
|           | 48837700    | POWER SUPPLY CORD ( SS )         |
|           | or 83384200 | POWER SUPPLY CORD ( SS )         |
|           | 49299300    | POWER SUPPLY CORD ( EU,IPT,FTZ ) |
|           | or 83384300 | POWER SUPPLY CORD ( EU,IPT,FTZ ) |
| △pZ5      | 49374300    | STRAIN RELIEF CORD BUSH 2104     |

**\* NOTE**

Last figure of stock number in "< >" means the destination for market.

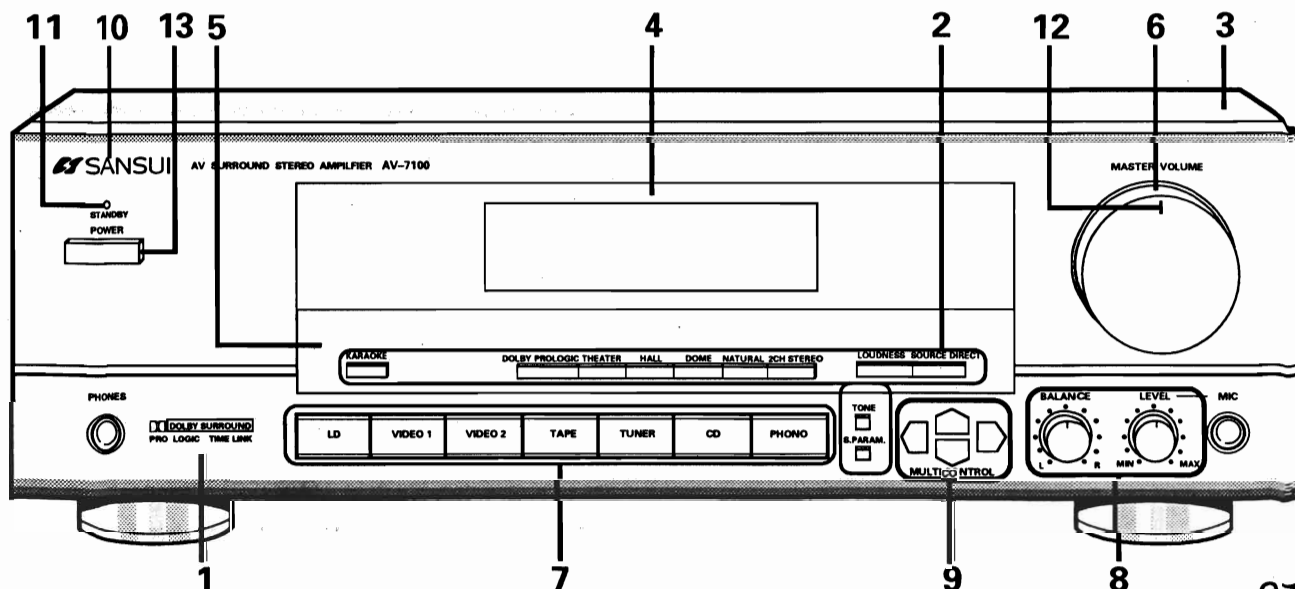
If you are not found out the number, will be shown in stock number smaller than it.

- 1 : EXPORT , 2 : U. S. A. , 3 : CANADA ,  
4 : MID. EAST , 5 : EUROPE , 7 : ITALY ,  
8 : GERMANY ( C E STANDARD )

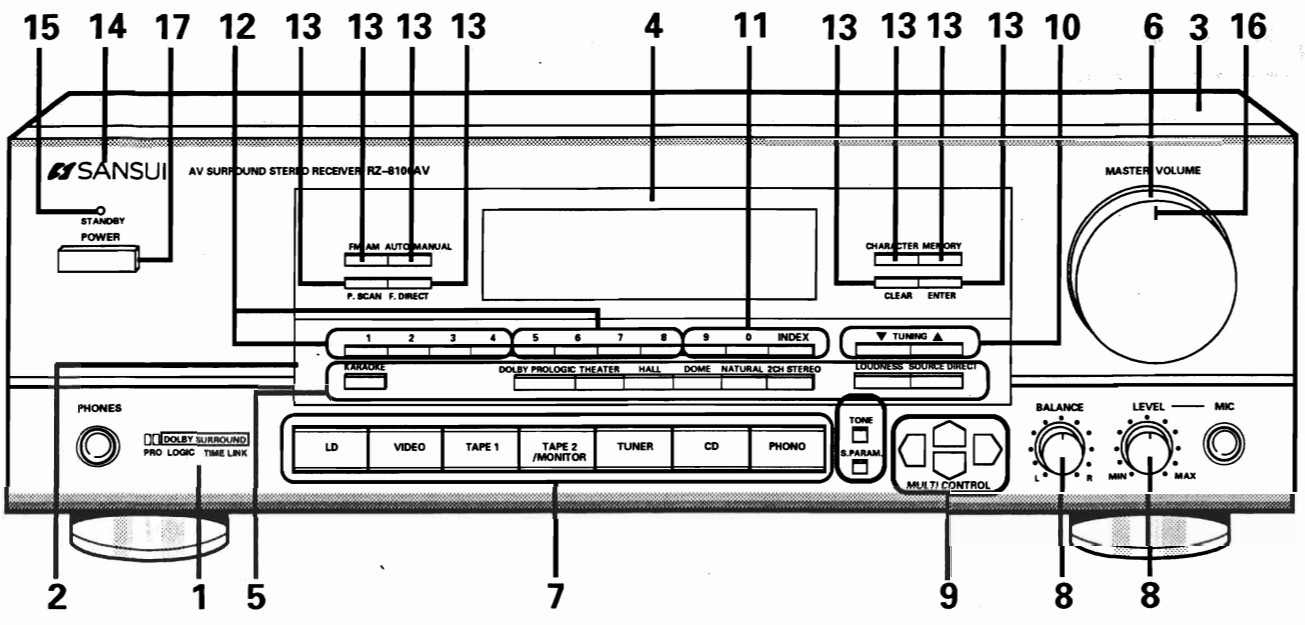
| Stock No. | Description               |
|-----------|---------------------------|
| 85178700  | LEG ( D : 55 X H : 13 )   |
| 05283600  | LEG CUSHION ( □ 15 X 15 ) |

**8. MECHANISM PARTS LIST / 機構部品表****●AMPLIFIER < AV-7100, AV7150 & AV7700 >**

| Parts No. | Stock No. | Description                       |
|-----------|-----------|-----------------------------------|
| 1         | 85174400  | FRONT PANEL ALUMINIUM GOLD        |
|           | 85174300  | FRONT PANEL ALUMINIUM BLACK       |
|           | 85184200  | FRONT PANEL ( JAPAN ) GOLD        |
| 2         | 85197000  | FRONT PANEL ( JAPAN ) BLACK       |
|           | 85174810  | KNOB ACC. ( B.- PANEL. ) GOLD     |
| 3         | 85174710  | KNOB ACC. ( B.- PANEL. ) BLACK    |
|           | 85180400  | BONNET GOLD                       |
|           | 85178100  | BONNET BLACK                      |
|           | 85183200  | BONNET ( EU, IPT, FTZ ) GOLD      |
| 4         | 85183100  | BONNET ( EU, IPT, FTZ ) BLACK     |
|           | 85175010  | WINDOW                            |
| 5         | 85179500  | SUB PANEL PLASTICS GOLD           |
|           | 85179400  | SUB PANEL PLASTICS BLACK          |
| 6         | 85175400  | KNOB MASTER VOLUME GOLD           |
|           | 85175300  | KNOB MASTER VOLUME BLACK          |
| 7         | 85175800  | KNOB INPUT SELECTOR GOLD          |
|           | 85175700  | KNOB INPUT SELECTOR BLACK         |
| 8         | 85166400  | KNOB VOLUME GOLD                  |
|           | 85166300  | KNOB VOLUME BLACK                 |
| 9         | 85176000  | KNOB MULTI CONTROL GOLD           |
|           | 85175900  | KNOB MULTI CONTROL BLACK          |
| 10        | 05272600  | LOGO BADGE <b>SANSUI</b> GOLD     |
|           | 05051200  | LOGO BADGE <b>SANSUI</b> BLACK    |
| 11        | 85166900  | INDICATOR STANDBY                 |
| 12        | 85180200  | INDICATOR MASTER VOL. KNOB        |
| 13        | 85211900  | KNOB POWER ( EU, IPT, FTZ ) GOLD  |
|           | 85211800  | KNOB POWER ( EU, IPT, FTZ ) BLACK |



**AV-7700    AV-7150    AV-7100    RZ-8150AV    RZ-8100AV**



●RECEIVER ◀ RZ - 8100AV & RZ - 8100AV ▶

| Parts No. | Stock No. | Description                  |
|-----------|-----------|------------------------------|
| 1         | 85174200  | FRONT PANEL ALUMINIUM GOLD   |
|           | 85174100  | FRONT PANEL ALUMINIUM BLACK  |
| 2         | 85174810  | KNOB ACC. (B.- PANEL.) GOLD  |
|           | 85174710  | KNOB ACC. (B.- PANEL.) BLACK |
| 3         | 85180400  | BONNET GOLD                  |
|           | 85178100  | BONNET BLACK                 |
|           | 85183200  | BONNET (EU, IPT, FTZ) GOLD   |
|           | 85183100  | BONNET (EU, IPT, FTZ) BLACK  |
| 4         | 85174910  | WINDOW                       |
| 5         | 85175200  | SUB PANEL PLASTICS GOLD      |
|           | 85175100  | SUB PANEL PLASTICS BLACK     |
| 6         | 85175400  | KNOB MASTER VOLUME GOLD      |
|           | 85175300  | KNOB MASTER VOLUME BLACK     |
| 7         | 85175600  | KNOB INPUT SELECTOR GOLD     |
|           | 85175500  | INPUT SELECTOR BLACK         |
| 8         | 85166400  | KNOB VOLUME GOLD             |
|           | 85166300  | KNOB VOLUME BLACK            |

Parts No. Stock No. Description

|    |          |                                 |
|----|----------|---------------------------------|
| 9  | 85176000 | KNOB MULTI CONTROL GOLD         |
|    | 85175900 | KNOB MULTI CONTROL BLACK        |
| 10 | 85176200 | KNOB 2 - PIECES GOLD            |
|    | 85176100 | KNOB 2 - PIECES BLACK           |
| 11 | 85176400 | KNOB 3 - PIECES GOLD            |
|    | 85176300 | KNOB 3 - PIECES BLACK           |
| 12 | 85176600 | KNOB 4 - PIECES GOLD            |
|    | 85176500 | KNOB 4 - PIECES BLACK           |
| 13 | 85184500 | KNOB SINGLE (ON THE WINDOW)     |
| 14 | 05272600 | LOGO BADGE SANSUI GOLD          |
|    | 05051200 | LOGO BADGE SANSUI BLACK         |
| 15 | 85166900 | INDICATOR STANDBY               |
| 16 | 85180200 | INDICATOR MASTER VOL. KNOB      |
| 17 | 85211900 | KNOB POWER (EU, IPT, FTZ) GOLD  |
|    | 85211800 | KNOB POWER (EU, IPT, FTZ) BLACK |
|    | 85178700 | LEG (D : 55 X H : 13)           |
|    | 05283600 | LEG CUSHION ( □ 15 X 15 )       |

●BOTH MODEL ◀AMPLIFIER & RECEIVER▶

| Stock No. | Description                           |
|-----------|---------------------------------------|
| 85184300  | GRILLE (ON BONNET EU, IPT, FTZ) GOLD  |
| 85183300  | GRILLE (ON BONNET EU, IPT, FTZ) BLACK |
| 85179600  | FL FILTER ANBER (FOR BLACK MODEL)     |
| 85179700  | FL FILTER PINK (FOR GOLD MODEL)       |
| 85179600  | FL FILTER PINK (FOR JAPAN MODEL)      |

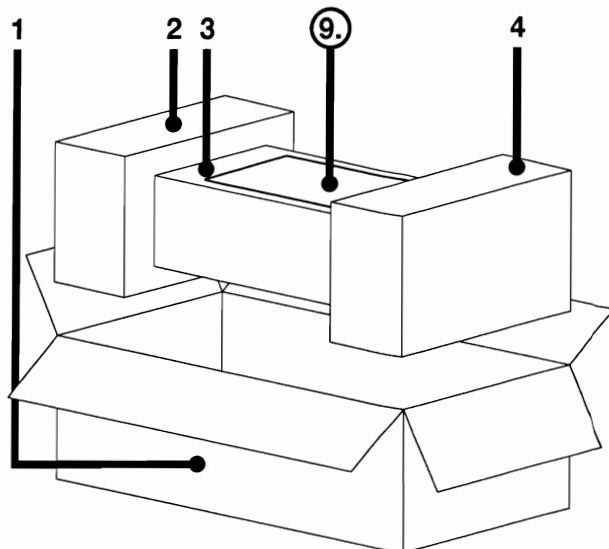
# 9. PACKING LIST

## ／ 梱包材部品表

●AMPLIFIER < AV-7100 , AV7150 & AV7700 >

Parts No. Stock No. Description

|   |          |                          |       |
|---|----------|--------------------------|-------|
| 1 | 85179900 | CARTON CASE              | GOLD  |
|   | 85179800 | CARTON CASE              | BLACK |
|   | 85180100 | CARTON CASE ( JAPAN )    | GOLD  |
|   | 85180000 | CARTON CASE ( JAPAN )    | BLACK |
| 2 | 85178800 | POLYSTYRENE FOAM PACKING | LEFT  |
| 3 | 85178900 | POLYSTYRENE FOAM PACKING | RIGHT |
| 4 | 85203800 | POLYETHYLEN BAG          | LARGE |



# 10. ACCESSORY LIST

## ／ 付属品部品表

●AMPLIFIER < >

Stock No. Description

|          |   |                |
|----------|---|----------------|
| 49958800 | REMOTE CONTROL UNIT                       | RS - 1700      |
|          | DRY BATTERY CELL ASS'Y (2PCS., R6 / SUM3) |                |
| 47852000 | POLYETHYLEN BAG                           | SMALL          |
| 82036000 | OPERATING INSTRUCTION                     | *( J )         |
| 82036100 | OPERATING INSTRUCTION                     | *( E , F , S ) |
| 82036200 | OPERATING INSTRUCTION                     | *( 8L )        |
| 82036300 | OPERATING INSTRUCTION                     | *( ET )        |

**\*NOTE**

- J : Japanese Version.
- E, F, S : English, French and Spanish Version.
- 8 L : English, French, Spanish, German, Italian, Swedish, Portuguese and Netherlands Version.
- E, T : English and Old Chinese Character Version.

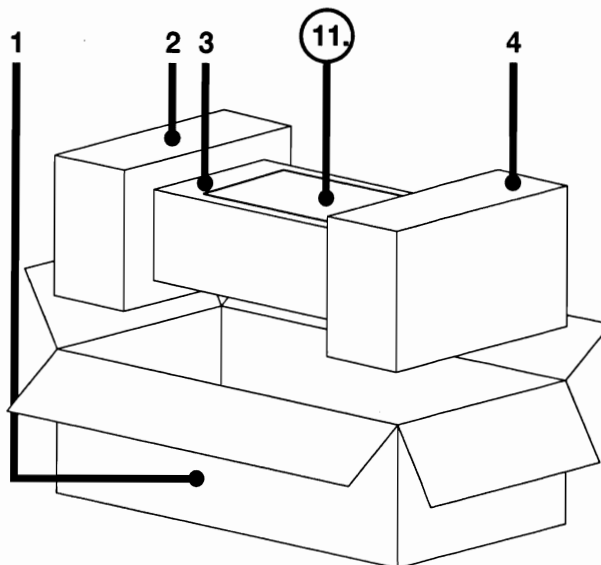
**RZ-8150AV****RZ-8100AV**

# 11. PACKING LIST

●RECEIVER &lt; RZ-8100AV &amp; RZ-8100AV &gt;

Parts No. Stock No. Description

|   |          |                          |       |
|---|----------|--------------------------|-------|
| 1 | 85179100 | CARTON CASE              | GOLD  |
|   | 85179000 | CARTON CASE              | BLACK |
| 2 | 85178800 | POLYSTYRENE FOAM PACKING | LEFT  |
| 3 | 85178900 | POLYSTYRENE FOAM PACKING | RIGHT |
| 4 | 85203800 | POLYETHYLEN BAG          | LARGE |



# 12. ACCESSORY LIST

●RECEIVER &lt; RZ-8100AV &amp; RZ-8100AV &gt;

Stock No. Description

|          |   |                   |
|----------|---|-------------------|
| 49919100 | REMOTE CONTROL UNIT                     | RS-1560           |
|          | DRY BATTERY CELL ASS'Y (2PCS., R6/SUM3) |                   |
| 83382100 | A. M. ANTENNA                           | (R. F. LOOP COIL) |
| 83390500 | F. M. ANTENNA                           | (T-TYPE WIRE)     |
| 83390400 | F. M. ANTENNA                           | (T-TYPE EUROPE)   |
| 49335000 | ANTENNA CONNECTOR                       | (EUROPE)          |
| 47852000 | POLYETHYLEN BAG                         | SMALL             |
| 82035700 | OPERATING INSTRUCTION                   | *(E, F, S)        |
| 82035800 | OPERATING INSTRUCTION                   | *(8L)             |
| 82035900 | OPERATING INSTRUCTION                   | *(ET)             |

**\*NOTE**

E, F, S : English, French and Spanish Version.

8 L : English, French, Spanish, German, Italian, Swedish, Portuguese and Netherlands Version.

E, T : English and Old Chinese Character Version.

36732800  
SM RZ8100AV/AV7100

824054 Liefermenge: 1

**SANSUI**

SANSUI ELECTRIC CO., LTD. :

22 Sekinoue, Namekawa, Sukagawa-shi, Hukushima 962-04, Japan  
Phone: (0248) 75-4174 / Fax: (0248) 76-6445

SANSUI INTERNATIONAL CO., LTD. :

Units B10-B11, 2/F, Block B Hoplite Industrial Centre 3-5 Wang Tai Road,  
Kowloon Bay Kowloon, Honk Kong

SANSUI USA INC. :

17150 South Margay Ave. Carson, California 90746 U.S.A.

SANSUI DEUTSCHLAND G.M.B.H. :

Paul Ehrlich Strasse 8, 6074Rödermark 2, F. R. Germany

山水電気株式会社

福島県須賀川市大字滑川字関の上22 (〒962-04)

A3850 &amp; R2910 (SM 2-428) Printed in Hong Kong (1996.06.SI) &lt;Stock No.36732800&gt;